

SETUP & OPERATION MANUAL

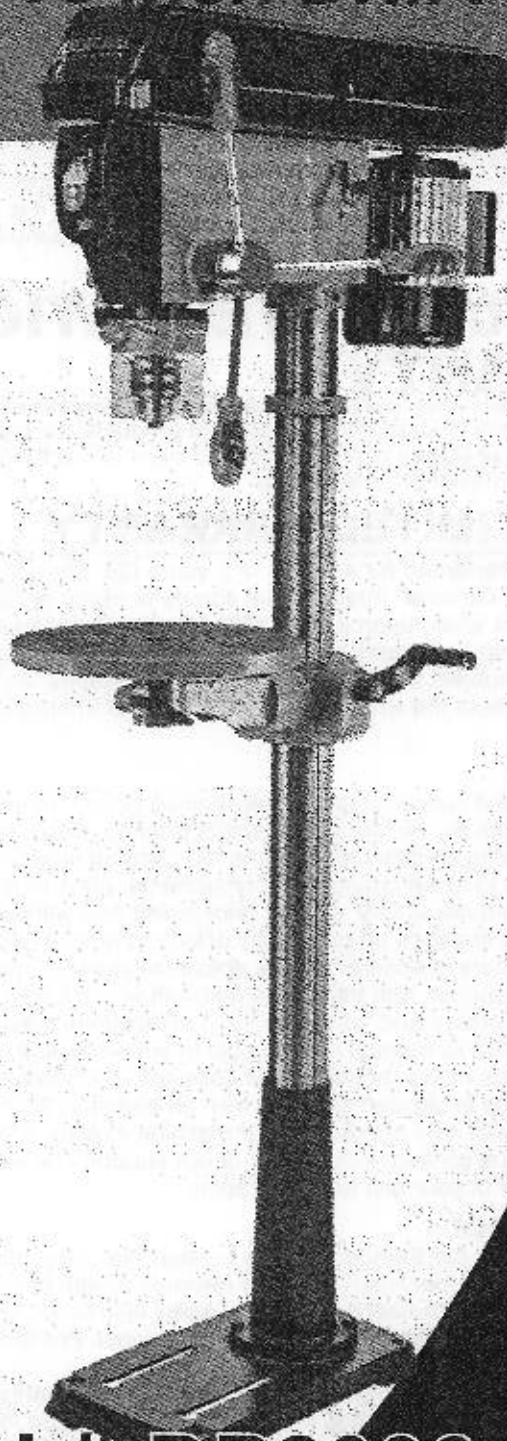
15 inch Drill Press

FEATURES

- Floor mount model
- 5/8 in. (16 mm) chuck
- 16 speeds
- Patented cross-pattern precision laser alignment and centering guide
- Unique built-in LED work light illuminates the work table
- Easy-access safety switch with removable security key
- Transparent flip-up chuck safety guard
- Large soft-grip ergonomic feed handles
- Depth stop with scale
- Heavy cast-iron and steel construction

SPECIFICATIONS

- Motor: 120 V – 60 Hz
- Power: 550 W
- Swing: 15 in. (390 mm)
- Work table dim:
12.4" (round 315 mm)
- Base dim: 13-3/8" x 10-5/8"
(340 mm x 265 mm)
- Drilling capacity:
3/4 in. (20 mm)
- Taper: MT2
- Overall height: 63" (1610 mm)
- Speed range: 246-3200 rpm
- Table tilt: 0 – 45 degrees
- CSA certification
- Net weight: 137 lb. (62 kg)



Model # DP2006

**GENERAL
INTERNATIONAL**

SINCE 1945

THANK YOU

for choosing this General International machine. This tool has been carefully tested and inspected before shipment and if properly used and maintained, will provide you with years of reliable service. To ensure optimum performance and trouble-free operation, and to get the most from your investment, please take the time to read this manual before assembling, installing and operating the unit.

The manual's purpose is to familiarize you with the safe operation, basic function, and features of this tool as well as the set-up, maintenance and identification of its parts and components. This manual is not intended as a substitute for formal woodworking instruction, nor to offer the user instruction in the craft of woodworking. If you are not sure about the safety of performing a certain operation or procedure, do not proceed until you can confirm, from knowledgeable and qualified sources, that it is safe to do so. Once you've read through these instructions, keep this manual handy for future reference.

GENERAL® INTERNATIONAL WARRANTY

All component parts of General® International products are carefully inspected during all stages of production and each unit is thoroughly inspected upon completion of assembly.

2-YEAR LIMITED WARRANTY

All products are warranted for a period of 2 years (24 months) from the date of purchase. General® International agrees to repair or replace any part or component which upon examination, proves to be defective in either workmanship or material to the original purchaser during this 2-year warranty period, subject to the "conditions and exceptions" as listed below. Repairs made without the written consent of General International will void the warranty.

DISCLAIMER

The information and specifications in this manual pertain to the unit as it was supplied from the factory at the time of printing. Because we are committed to making constant improvements, General International reserves the right to make changes to components, parts or features of this unit as deemed necessary, without prior notice and without obligation to install any such changes on previously delivered units. Reasonable care is taken at the factory to ensure that the specifications and information in this manual corresponds with that of the unit with which it was supplied. However, special orders and "after factory" modifications may render some or all information in this manual inapplicable to your machine. Further, as several generations of this model of dust collector and several versions of this manual may be in circulation, if you own an earlier or later version of this unit, this manual may not depict your machine exactly. If you have any doubts or questions contact your retailer or our support line with the model and serial number of your unit for clarification.

TO FILE A CLAIM

To file a claim under our Standard 2-year Limited Warranty, all defective parts, components or machinery must be returned freight or postage prepaid to General® International, or to a nearby distributor, repair center or other location designated by General® International. For further details call our service department at 1-888-949-1161.

Along with the return of the product being claimed for warranty, a copy of the original proof of purchase and a "letter of claim" must be included (a warranty claim form can also be used and can be obtained, upon request, from General® International or an authorized distributor) clearly stating the model and serial number of the unit (if applicable) and including an explanation of the complaint or presumed defect in material or workmanship.

CONDITIONS AND EXCEPTIONS

This coverage is extended to the original purchaser only. Prior warranty registration is not required but documented proof of purchase, i.e. a copy of original sales invoice or receipt showing the date and location of the purchase as well as the purchase price paid, must be provided at the time of claim.

Warranty does not include failures, breakage or defects deemed after inspection by General® International to have been directly or indirectly caused by or resulting from, improper use, or lack of or improper maintenance, misuse or abuse, negligence, accidents, damage in handling or transport, or normal wear and tear of any generally considered consumable parts or components.

Repairs made without the written consent of General® International will void all warranty.

READ ALL INSTRUCTIONS BEFORE OPERATING

SAVE THESE INSTRUCTIONS

Before attempting to operate your new tool, please read these instructions thoroughly. You will need these instructions for the safety warnings, precautions, assembly, operation, maintenance procedures, parts list and diagrams. Keep your invoice with these instructions. Write the invoice number on the inside of front cover. Keep the instructions and invoice in a safe, dry place for future reference.

THE WARNINGS, CAUTIONS AND INSTRUCTIONS discussed in this instruction manual cannot cover all possible conditions or situations that could occur. It must be understood by the operator that common sense and caution are factors which cannot be built into this product, but must be supplied by the operator.



IMPORTANT SAFETY INSTRUCTIONS

The purpose of safety symbols is to attract your attention to possible hazards. The safety symbols, and the explanations with them, deserve your careful attention and understanding. The safety warnings do not, by themselves, eliminate any danger. The instructions or warnings they give are not substitutes for proper accident prevention measures.

DANGER! Indicates an imminently hazardous situation which, if not avoided, will result in serious injury or death.



WARNING! Indicates an imminently hazardous situation which, if not avoided, could result in serious injury or death.



CAUTION: Indicates an imminently risky situation which, if not avoided, could result in minor injuries or slight injury. It may also be used to notify the user to remain alert regarding unsafe practices which may cause property damage.



WARNINGS AND CAUTIONS

Be sure to read, understand and follow all safety warnings and instructions in the supplied operator's manual.

WORK AREA

1. KEEP CHILDREN AND BYSTANDERS AWAY.

All children should be kept away from the work area. Don't let them handle machines, tools or extension cords. Visitors can be a distraction and are difficult to protect from injury.

2. KEEP WORKING AREA CLEAN

and be sure adequate lighting is available. Cluttered areas invite injuries.

3. MAKE WORKSHOP KID-PROOF

with padlocks, master switches, or by removing starter keys.

4. AVOID DANGEROUS ENVIRONMENTS

Don't use power tools in damp or wet locations. Keep work area well lit. Do not expose power tools to rain. Do not use the tool in the presence of flammable liquids or gases.

5. STORE IDLE EQUIPMENT.

Store equipment in a dry area to inhibit rust. Equipment also should be in a high location or locked up to keep out of reach of children.

PERSONAL SAFETY

1. LEARN THE MACHINE'S APPLICATIONS AND LIMITATIONS,

as well as the specific potential hazards particular to this machine. Follow available safety instructions and safety rules carefully.

2. DON'T OVERREACH.

Keep proper footing and balance at all times. Do not reach over or across machines that are running.

3. STAY ALERT

Watch what you are doing. Use common sense. Do not operate tool when you are tired. Do not operate while under medication or while using alcohol or other drugs.

4. AVOID DISTRACTIONS

while operating this tool.

5. WEAR APPROPRIATE APPAREL

Do not wear loose clothing, gloves, bracelets, necklaces, or jewellery while operating the tool. Wear face, eye, ear, respiratory and body protection devices, as indicated for the operation or environment.

6. ALWAYS WEAR SAFETY GLASSES

Also use face or dust mask if cutting operation is dusty, and ear plugs during extended periods of operation. Everyday eyeglasses have only impact resistant lenses, they are NOT safety glasses.

7. WEAR BREATHING PROTECTION.

Use of this tool can generate and/or disperse dust, which may cause serious and permanent respiratory or other injury. Many types of wood are naturally toxic, especially in dust form. Wear a clean dust mask if the work involves creating a lot of fine or coarse dust. Always use NIOSH/OSHA-approved respiratory protection appropriate for the dust exposure. Direct particles away from face and body.

8. WEAR HEARING PROTECTION,

especially from repeated exposure.

9. GUARD AGAINST ELECTRIC SHOCK

Prevent body contact with grounded surfaces. For example: pipes, radiators, ranges, refrigerator enclosures. When your body is grounded the risk of electric shock increases. When working wherever "live" electrical wires may be encountered, try to ascertain whether there is a danger of shock. Even so, DO NOT TOUCH ANY METAL PARTS OF THE TOOL while using it. Hold the tool only by the plastic grip to prevent electric shock if you contact a live wire.

10. ALWAYS DISCONNECT TOOL BEFORE SERVICING

and when changing accessories such as belts, bits, blades, cutters.

11. KEEP GUARDS IN PLACE

and in working order. If a guard must be removed for maintenance or cleaning, make sure it is properly attached before using the tool again.



12. **ENSURE KEYS AND ADJUSTING WRENCHES ARE REMOVED**
before turning power on. Left attached, these parts can fly off a rotating part and result in personal injury.
13. **MAKE SURE THAT SWITCH IS IN "OFF" POSITION**
before plugging in cord to reduce the risk of unintentional starts.
14. **MAKE SURE TOOL IS PROPERLY GROUNDED.**
If tool is equipped with three-prong plug, it should be plugged into a three-pole electrical receptacle. Never remove the third prong.
15. **NEVER STAND ON TOOL**
Serious injury could occur if the tool is tipped or if the cutting tool is unintentionally contacted.
16. **KEEP HANDS WELL AWAY FROM ABRASIVE SURFACES**
and all moving parts. Do not clear chips and sawdust away with hands. Use a brush.
17. **WHENEVER POSSIBLE USE A DUST COLLECTOR**
with shaving hood to minimize health hazards.
18. **SECURE WORK.**
Use clamps or a vise to hold the work. It's safer than using your hands and it frees both hands to operate the tool.
19. **DISCONNECT THE PLUG FROM POWER**
before making any adjustments. Changing attachments or accessories can be dangerous if the tool could accidentally start.

TOOL SAFETY

1. **MAKE SURE ALL CUTTING TOOLS**
are moving at operation speed before feeding.
2. **DO NOT FEED THE MATERIAL TOO QUICKLY.**
The tool will perform better and be safer working at the rate for which it was designed.
3. **NEVER LEAVE THE MACHINE WITH THE POWER ON.**
4. **DO NOT FORCE THE MACHINE.**
It will do the job better and be safer at a rate for which it was designed. Don't force a small tool or attachment to do the work of a larger industrial tool. Don't use a tool for a purpose for which it was not intended.
5. **MAINTAIN TOOLS WITH CARE.**
Keep tools sharp and clean for better and safer performance. Follow instructions for lubricating and safe performance. Follow instructions for lubricating and changing accessories. Keep handles dry, clean and free from oil and grease.
6. **DISCONNECT THE PLUG FROM POWER BEFORE MAKING ANY ADJUSTMENTS.**
Changing attachments or accessories can be dangerous if the tool could accidentally start.
7. **AVOID UNINTENTIONAL STARTING.**
Be sure the switch is in the OFF position before plugging in. Do not carry the tool with the power connected and your finger on the trigger.
8. **KEEP GUARDS IN PLACE,**
in working order, in good adjustment and alignment.
9. **DO NOT USE THE TOOL**
if it cannot be switched on or off. Have your tool repaired before using it.
10. **CHECK FOR DAMAGED PARTS.**
Before using this tool, any part that is damaged should be carefully checked to determine that it will operate properly and perform its intended function. Check for alignment of moving parts, binding of moving parts, breakage of parts, mountings, and other conditions that may affect its operation. Inspect screws and tighten any ones that are loose. Any part that is damaged should be properly repaired or replaced by an authorized service center unless otherwise indicated elsewhere in the instruction manual. Have defective switches replaced by an authorized service center. Don't use the tool if switch does not turn it on and off properly.

11. OBTAIN ADVICE

from your supervisor, instructor or another qualified person if you are not thoroughly familiar with the operation of this machine. Knowledge is safety.

12. USE ONLY RECOMMENDED ACCESSORIES.

Use of accessories NOT recommended by General International may result in a risk of injury.

SERVICE**1. INSPECT AND MAINTAIN THE TOOL REGULARLY.**

Have it repaired only by an authorized repair technician.

2. MAINTAIN TOOLS WITH CARE.

Keep tools sharp and clean for better and safer performance. Follow instructions for lubricating and safe performance. Follow instructions for lubricating and changing accessories. Keep handles dry, clean and free from oil and grease.

3. ENSURE THAT THE VENTILATION OPENINGS

are kept clear of debris.

4. IF THE CORDSET IS DAMAGED HAVE IT REPAIRED

only by an authorized service center.

5. SERVICE AND REPAIRS SHOULD BE MADE BY QUALIFIED REPAIR TECHNICIANS

at an authorized repair center. Improperly repaired tools could cause serious shock or injury.

6. REPLACEMENT PARTS.

When servicing, use only the manufacturer's recommended replacement identical replacement parts and accessories.

7. THE MANUFACTURER SHALL NOT BE LIABLE

for any changes made to the tool, nor for any damage resulting from such changes.

SAFETY RULES SPECIFIC TO THIS EQUIPMENT

Because each shop situation is unique, no list of safety guidelines can ever be complete. The most important safety feature in any shop is the knowledge and good judgement of the user. Use common sense and always keep safety considerations, as they apply to your individual shop situation first and foremost in mind. If you have any doubts about the safety of an operation you are about to perform: STOP! Do not perform the operation until you have validated from qualified individuals if the operation is safe to perform and what is the safest method to perform it.

WARNING! To avoid mistakes that could cause serious, permanent injury, do not plug the drill press in until the following steps have been completed:

- Assembly and alignment
- Learn the use and function of the on/off switch, feed handles, depth stop, belt tension adjustment, work table and work table tilt knob.
- Review and understanding of all safety instructions and operating procedures in this manual.
- Review of the maintenance methods for this tool.

**1. READ THE WARNING LABELS ON THE TOOL.****2. AVOID UNINTENTIONAL STARTING.**

Be sure the switch is in the OFF position before plugging in.

3. ALWAYS CHECK AND MAKE SURE TO REMOVE ANY ADJUSTING KEYS OR WRENCHES

before turning the tool on. Left attached, these parts can fly off a rotating part and result in personal injury.

4. DO NOT OPERATE THIS MACHINE UNTIL IT IS COMPLETELY ASSEMBLED

and installed according to the instructions. A machine incorrectly assembled can cause serious injury.

NOTE: If any parts are damaged or missing, do not attempt to plug in the power cord and turn the switch on until the damaged or missing parts are obtained and are installed correctly.

- 5. SECURE THE MACHINE TO A SUPPORTING SURFACE.**
Vibration can cause the machine to slide, walk, or tip over. To avoid injury from unexpected movement, make sure the tool is on a firm, level surface, properly secured to prevent rocking. Make sure there is adequate space for operations.
- 6. STABILITY OF THE DRILL PRESS**
The drill press may show a tendency to tilt or move during use. If so, bolt it to the floor or to a piece of 3/4" plywood large enough to stabilize it.
- 7. SECURELY LOCK THE HEAD AND TABLE SUPPORT BRACKET TO THE COLUMN,**
and the table to the table support bracket before operating the drill press. Never move either the head or table support bracket while the tool is running.
- 8. BEFORE STARTING THE OPERATION, CHECK FOR MIS-ALIGNMENT IN THE CHUCK.**
Jog (turn on, then immediately off) the motor switch to make sure the drill bit or other cutting tool does not wobble or cause vibration.
- 9. NEVER TURN THE MACHINE ON BEFORE**
clearing the table/work area of all objects (tools, scraps of wood, etc.). Flying debris is dangerous.
- 10. USE EXTRA SUPPORTS**
(tables, saw horses, blocks, etc.) for any workpiece large enough to tip when not held down to the work table.
- 11. DO NOT LEAVE THE WORK AREA UNTIL ALL MOVING PARTS HAVE STOPPED.**
Shut off the power to master switches. Childproof the workshop!
- 12. BEFORE STARTING,**
be certain the motor, table, attachments and adjustment knobs are secured.
- 13. CHECK FOR DAMAGED PARTS.**
Before using this tool, any part that is damaged should be carefully checked to determine that it will operate properly and perform its intended function. Check for misalignment of moving parts, binding of moving parts, breakage of parts, mountings and other conditions that may affect its operation. Inspect screws and tighten any that are loose. Any part that is damaged should be properly repaired or replaced by an authorized service center unless otherwise indicated elsewhere in the instruction manual. Have defective switches replaced by an authorized service center. Don't use the tool if switch does not turn it on and off properly.
- 14. OBTAIN ADVICE**
from your supervisor, instructor, or another qualified person if you are not thoroughly familiar with the operation of this machine. Knowledge is safety.
- 15. NEVER TURN THE MACHINE ON**
with the workpiece contacting the bit. Workpiece may be thrown and cause injury or damage.
- 16. PREVENT THE WORKPIECE**
from contacting the bit before starting the tool. Loss of control of the workpiece is dangerous.
- 17. TURN THE MACHINE OFF,**
disconnect the machine from the power source, when not in operation and before leaving the machine. Clean the table/work area before leaving the machine.
- 18. DO NOT LEAVE THE WORK AREA UNTIL ALL MOVING PARTS HAVE STOPPED.**
Shut off the power to master switches. Childproof the workshop!
- 19. TO FREE ANY JAMMED MATERIAL, TURN THE SWITCH OFF.**
Unplug the tool. Wait for all moving parts to stop before removing the jammed material.
- 20. NEVER WORK FREE HAND**
(hand-holding the workpiece rather than supporting it on the table), except when polishing.

- 21. PREVENT THE WORKPIECE FROM BEING PULLED OUT OF YOUR HANDS, SPINNING ON THE TABLE,**
shattering the tool, or being thrown. Always support your work so it won't shift or bind on the tool.
- 22. ALWAYS POSITION THE WORKPIECE AND BACKUP MATERIAL**
(used beneath the workpiece) to contact the left side of the column. Whenever possible, position the workpiece to contact the left side of the column — if it is short or the table is tilted, clamp it solidly to the table.
- 23. CLAMP OR BRACE WORKPIECE AGAINST COLUMN**
to prevent rotation.
- 24. SUPPORT THE WORKPIECE FIRMLY WITH A CLAMP,**
vise, or work table when drilling. Hold the workpiece firmly. Loss of control of the workpiece can result in injury.
- 25. WHEN USING A DRILL PRESS VISE,**
always fasten it securely to the table.
- 26. PROPERLY SUPPORT LONG OR WIDE WORKPIECES.**
If a workpiece overhangs the table so that it could fall or tip if not held, clamp it to the table or provide auxiliary support(s). Loss of control of the workpiece is dangerous.
- 27. SUPPORT ROUND WORK PROPERLY**
Use V blocks to prevent it from rolling.
- 28. USE THE RECOMMENDED SPINDLE SPEED**
for the specific operation and workpiece material — check the label inside the pulley cover for drilling information.
- 29. KEEP PULLEY COVER CLOSED**
when not making belt adjustments.
- 30. TO AVOID INJURY FROM THROWN WORK OR TOOL CONTACT,**
do not perform layout, assembly, or setup work on the table while the chuck is rotating.
- 31. USE ONLY ACCESSORIES DESIGNED FOR THIS DRILL PRESS**
to avoid serious injury from thrown, broken parts or work pieces.
- 32. WHEN CUTTING LARGE DIAMETER HOLES, CLAMP THE WORKPIECE FIRMLY TO THE TABLE.**
Otherwise the cutter may grab and spin at high speed. Use only one piece, cup-type hole cutters. DO NOT use fly cutters or multi-part hole cutters as they may come apart or become unbalanced in use.
- 33. ACCESSORIES MUST BE RATED FOR AT LEAST THE SPINDLE SPEED SETTING OF THE DRILL PRESS.**
This drill press has 5 spindle speeds. Check spindle speed setting of the drill press based on pulley speed chart located inside the pulley housing. Ensure accessories used have a higher speed rating than the current spindle speed setting of the drill press. Accessories running faster than rated speed can fly apart and cause injury.
- 34. DO NOT INSTALL OR USE DRILL BITS THAT EXCEED 7"**
(18 cm) in length or extend 6" (15 cm) below the chuck jaws. They can suddenly bend outward or break.
- 35. DO NOT USE WIRE WHEELS, ROUTER BITS, SHAPER CUTTERS, CIRCLE (FLY) CUTTERS, OR ROTARY PLANERS**
on this drill press.
- 36. AVOID AWKWARD OPERATIONS AND HAND POSITIONS.**
A sudden slip could cause a hand to move into the bit.
- 37. NEVER PERFORM LAYOUT, ASSEMBLY, OR SET-UP WORK ON THE TABLE**
/work area when the machine is running. A sudden slip could cause a hand or hair to move into the spinning bit or chuck. Severe injury can result.
- 38. DO NOT GET DISTRACTED AND ALWAYS CONCENTRATE ON WHAT YOU ARE DOING.**
Use common sense. Never operate the machine when you are tired, sick, or under the influence of alcohol, or other drugs.

39. LOCK THE SWITCH IN THE "OFF" POSITION TO PREVENT UNAUTHORIZED USE.

Someone else might accidentally start the machine and cause injury to themselves.

40. KEEP THESE INSTRUCTIONS.

Refer to them frequently and use them to instruct other users. If you lend someone this unit, also lend them the instructions.

41. FAILURE TO FOLLOW OPERATING INSTRUCTIONS AND SAFETY PRECAUTIONS IN THIS INSTRUCTION MANUAL CAN RESULT IN SERIOUS INJURY.

Read the manual before starting or operating this unit.

HEALTH NOTICE: Some dust created by power sanding, sawing, grinding, drilling, and other construction activities contains chemicals known to cause cancer, birth defects or other reproductive harm. Some examples of these chemicals are:

—Lead from lead-based paints

—Crystalline silica from bricks and cement and other masonry products

—Arsenic and chromium from chemically-treated lumber

Your risk from these exposures varies, depending on how often you do this type of work. To reduce your exposure to these chemicals, work in a well ventilated area, and work with approved safety equipment, such as those dust masks that are specially designed to filter out microscopic particles.



ELECTRICAL WARNINGS AND CAUTIONS

- BEFORE CONNECTING THE MACHINE** to the power source, verify that the voltage of your power supply corresponds with the voltage specified on the motor I.D. nameplate. A power source with greater voltage than needed can result in serious injury to the user as well as damage to the machine. If in doubt, contact a qualified electrician before connecting to the power source.
- MAKE SURE YOUR FINGERS** do not contact the terminals of the power cord plug when plugging in or unplugging the tool.
- GROUNDING TOOLS MUST BE PLUGGED INTO AN OUTLET THAT ITSELF IS PROPERLY INSTALLED AND GROUNDED.** Grounding provides a low-resistance path to carry electricity to ground away from the operator, should the tool malfunction electrically.
- DO NOT ABUSE THE CORD.** Never carry your tool by the cord or pull on the cord to unplug it. Protect the cord from potential sources of damage: heat, oil & solvents, sharp edges, or moving parts. Replace damaged cords immediately.
- WHEN WORKING OUTDOORS, USE AN OUTDOOR-RATED EXTENSION CORD.** An extension cord rated for outdoor use must be marked "W-A" or "W".
- THIS TOOL IS FOR INDOOR USE ONLY.** Do not expose electrical power tools to moisture. Rain or wet conditions can cause water to enter the tool and lead to electric shock.
- FOLLOW ALL LOCALLY APPLICABLE WIRING CODES** and recommended electrical connections to prevent shock or electrocution.

GROUNDING INSTRUCTIONS

In the event of an electrical malfunction or short circuit, grounding reduces the risk of electric shock. The motor of this machine is wired for 120 V single phase operation and is equipped with a 3-conductor cord and a 3-prong grounding plug to fit a grounded type receptacle B. Do not remove the 3rd prong (grounding pin) to make it fit into an old 2-hole wall socket or extension cord. If an adaptor plug is used C, it must be attached to the metal screw of the receptacle.

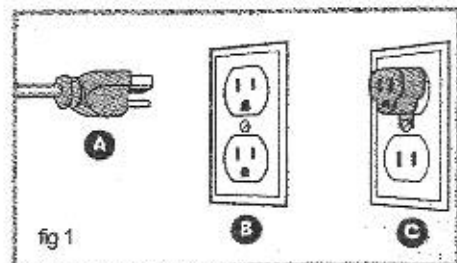


fig 1

NOTE: The use of an adaptor plug is illegal in some areas, including Canada. Check your local codes. If you have any doubts or if the supplied plug does not correspond to your electrical outlet, consult a qualified electrician before proceeding.

EXTENSION CORDS

If you find it necessary to use an extension cord with your machine, use only 3-wire extension cords that have 3-prong grounding plug and a matching 3-pole receptacle that accepts the tool's plug. Repair or replace a damaged extension cord or plug immediately.

Make sure the cord rating is suitable for the amperage listed on the motor I.D. plate. An undersized cord will cause a drop in line voltage resulting in loss of power and overheating. The accompanying chart shows the correct size extension cord to be used based on cord length and motor I.D. plate amp rating.

Amp Rating	Total Extension Cord Length							
	Feet	Meters	Feet	Meters	Feet	Meters	Feet	Meters
	25	8	50	15	100	30	125	40
3-10 amp	18 ga.		16 ga.		14 ga.		14 ga.	
10.1 - 12 amp	16 ga.		16 ga.		14 ga.		14 ga.	
12.1 - 16 amp	14 ga.		12 ga.		Not Recommended			

Use only UL or CSA approved extension cords.

WARNING! Do not allow familiarity with your tool to make you careless. Remember that a careless fraction of a second is sufficient to inflict severe injury.



IMPORTANT: The warnings, cautions and instructions detailed in this manual cannot cover all possible conditions and situations that occur. It must be understood by the operator that common sense and caution are factors that cannot be built into this product, but must be supplied by the operator.

LASER SAFETY

This tool is equipped with a patented precision cross-pattern laser alignment and centering guide.

1. DO NOT STARE DIRECTLY AT THE LASER BEAM.

DANGER! Eye damage may occur if you deliberately stare into the beam.



2. THE LASER LIGHT BEAM

used in this system is Class II with maximum 1 mW and 650 nm wavelengths. AVOID DIRECT EYE EXPOSURE.

3. THE LASER MUST BE USED AND MAINTAINED IN ACCORDANCE WITH THE MANUFACTURER'S INSTRUCTIONS:

- Never aim the beam at any person or an object other than the workpiece.
- Do not project the laser beam into the eyes of others.
- Always ensure the laser beam is aimed at a workpiece without reflective surfaces as the laser beam could be reflected into your eyes or the eyes of others.



UNPACKING

WARNING! Do not attempt to assemble the tool, plug in the power cord or turn on the switch if any parts are damaged or missing. Failure to heed this warning could result in serious personal injury.



CONTENTS

Separate all parts from the packing materials and check carefully against fig 2 & 3 and the list below.

NOTE: Make certain all parts are accounted for before discarding any packing material.

Some items below may be packed already assembled to each other.

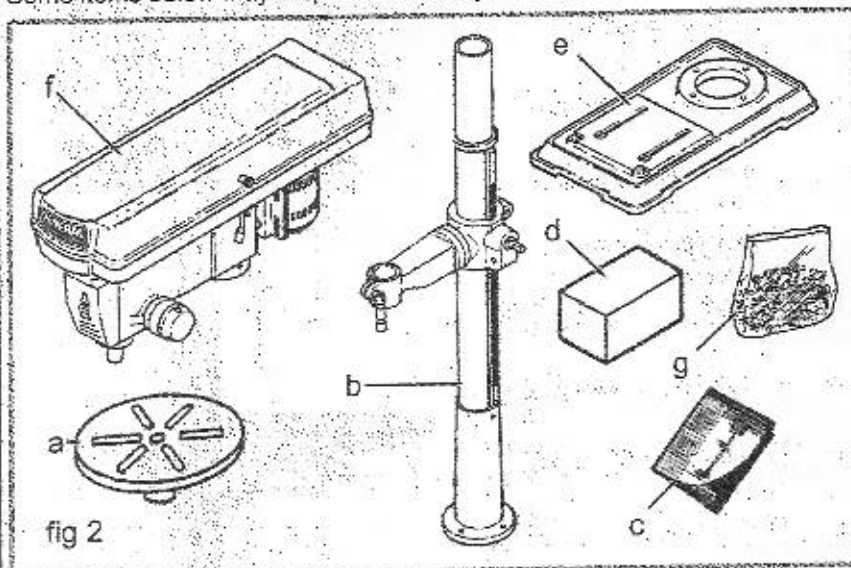


fig 2

a	Table assembly
b	Column assembly
c	Manual
d	Loose parts box
e	Base
f	Head assembly
g	Loose parts bag
h	2 x AA batteries
i	4 x hex bolts

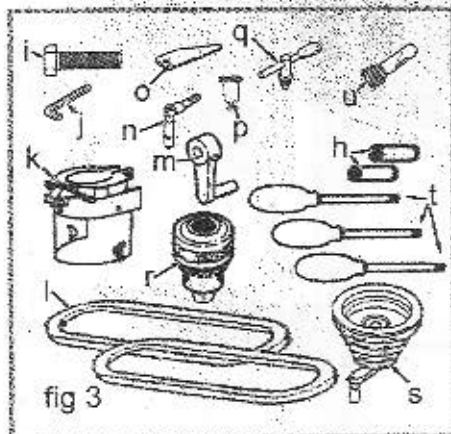


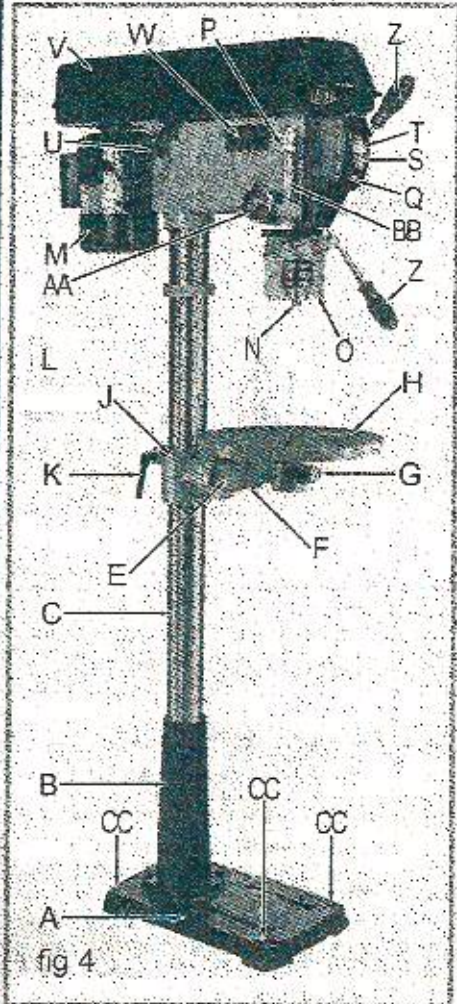
fig 3

j	Allen hex keys (3 mm, 4 mm, 5 mm)
k	Chuck safety guard
l	2 x V-belt
m	Table hand crank
n	Table support lock handle
o	Drift key
p	Pulley cover knob with screw
q	Chuck key
r	Chuck (with arbor)
s	Idler pulley
t	3 x feed handles
u	Worm shaft

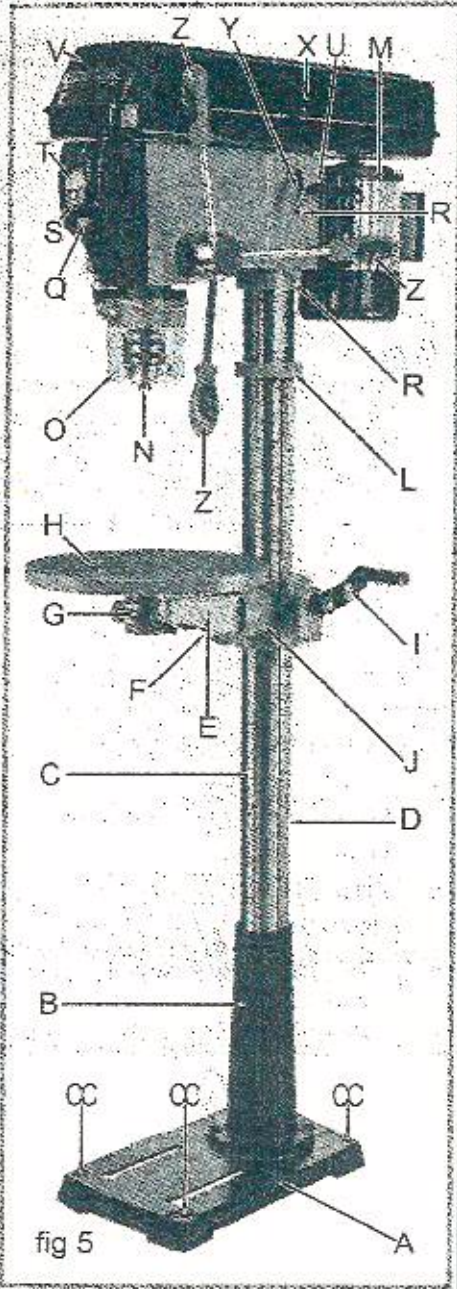
FUNCTIONAL DESCRIPTION

GETTING TO KNOW YOUR 15 INCH DRILL PRESS

WARNING! To avoid injury from accidental start, turn the switch off and remove the plug from the power source outlet before making any adjustments.



A	Base
B	Column support
C	Column
D	Rack
E	Table support pin
F	Table bevel lock
G	Table lock
H	Table
J	Table hand crank
K	Table support lock
L	Rack collar
M	Motor
N	Chuck
Q	Chuck safety guard
P	Depth stop
G	Work light switch
R	Head lock set screw
S	Drill switch
T	Drill switch lockout key
U	Belt tension lock knob
V	Belt / pulley cover
W	Laser switch
X	Belt / pulley cover knob
Y	Belt tensioning handle
Z	Feed handle
AA	Quill feed spring assembly
BB	Depth gauge
CC	Floor mount holes



ASSEMBLY PROCEDURE

WARNING! For your own safety, never connect the plug to the power source outlet or insert the switch insert key until all the assembly steps are complete and you have read and understood the entire owner's manual.



TOOLS NEEDED

- Adjustable wrench
- Combination square
- Medium screwdriver
- Hammer and block of wood

BASE AND COLUMN

1. Place the base (A, fig 4 & 5) on the floor.
2. Place the column assembly, (C, fig 4 & 5) on the base with the column support (B, fig 4 & 5) at the bottom, the rack collar (L, fig 4 & 5) at the top and the rack (D, fig 4) running between them. Align the column support holes with the base holes.
3. Install the four 10 mm x 40 mm long hex head bolts through each column support hole and tighten into the base with the wrench.

MOUNTING

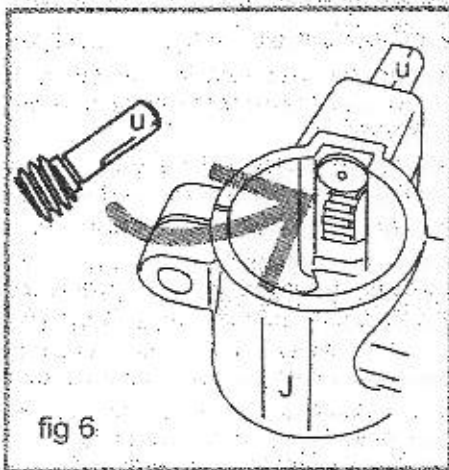
WARNING! *Drill presses are by their design, very top-heavy and must be securely fastened in place.*



- Decide where the drill press will stand and fasten your drill press through the mounting holes in the base to the floor with heavy duty bolts, washers, and nuts.
- If concrete, the bolts will need appropriate concrete anchors. This will prevent it from tipping over, sliding, or walking during operation.

TABLE

1. Remove the rack collar from the top of the column by loosening the set screw in it.
2. Remove the rack.
3. If not already installed, insert the worm shaft (u, fig 6) through the center hole of the table support (J, fig 6) and out through the crank handle hole as shown at right. The worm shaft should extend outside the housing about 1" (25 mm).
4. Insert the rack (D, fig 5) into the vertical groove of the table support. Make sure the worm gear driven by the just-installed worm shaft on the inside of the table support is engaged by the teeth of the rack.
5. Place the table support at the roughly the center of the rack.
6. Slide this table support and rack assembly down together onto the column. Insert the bottom edge of the rack so that it rests inside the lip of the column support.
7. Hold it in this position while you place the rack collar bevel-side-down over the top edge of the rack.
8. Tighten the set screw with a hex (Allen) wrench, holding the rack in position.



NOTE: *Make sure there is enough clearance to allow the table to rotate around the column, the rack collar sitting loosely over rack and square to the column. Tighten the set screw only enough to keep collar in place, to avoid column or collar damage.*

9. Slide the table support crank handle (I, fig 4 & 5) onto the worm shaft protruding from the side of the table support. Fasten it with the set screw, making sure the set screw is aligned with the flat of the shaft and as close to the table support as possible. Tighten the set screw.
10. Place the table (H, fig 4 & 5) on the other end of the table support arm (E, fig 4 & 5).
11. Tighten the table lock (G, fig 4 & 5).
12. Orient the table support arm in the same direction as the base, and tighten the table support lock (K, fig 4 & 5).

HEAD ASSEMBLY

CAUTION: *The head assembly is heavy (about 55 lb. / 25 kg) and you will require assistance from a second person.*



1. Lift the drill press head assembly (f, fig 2) carefully and slide the mounting hole of the drill press head over the top of the column. Be sure the head is seated properly on the column.

WARNING! *Be sure the base is securely fastened to the floor.*



2. Align the direction of the drill press head so that it matches the direction of the base and the table.

- Using a 5 mm hex (Allen) key, fasten the head assembly in place by tightening the two head lock set screws (R, fig 4) in the right side of the head casting.
- Screw the three feed handles (Z, fig 4 & 5) into the the threaded holes in the hub. Instead of using the knobs for leverage and possibly stripping them, use a wrench on the flats at the threaded ends of the handles to tighten, but take care to fasten them only hand tight.
- Install an M5 x 12 pan head screw from the inside of the pulley cover through the hole and attach the knob (p, fig 3) to the outside.

NOTE: One or two of the feed handles may have to be temporarily removed in future if a job involves an unusually shaped workpiece that interferes with handle rotation.

IDLER PULLEY AND DRIVE BELTS

- Open the pulley cover.

WARNING! Be sure the drill press is turned off and unplugged at any time the belt & pulley cover is open and you have your hands in that area.



- Loosen the left and right side belt tension lock knobs (U, fig 4 & 5).
- Turn the belt tensioning handle (Y, fig 5) clockwise. This will bring the motor pulley closer to the spindle pulley, allowing the drive belts to be slipped on.
- The idler pulley (s, fig 3) will likely be supplied uninstalled. Lubricate the idler pivot shaft and idler pulley with light grease.
- Install it in its mounting between the motor and spindle pulleys.
- Fit the two belts on the pulleys. The longer of the two belts should be installed between the idler pulley and the spindle (front pulley).
- Check the chart inside the pulley cover (or the drill speed chart in the Adjustments section), and fit the belts (l, fig 3) in positions corresponding to spindle/drill speed required.
- Turn the belt tensioning handle counter-clockwise so that tension is applied to the belts. Tension is correct when the belts deflect by about 1/2" (13 mm) at their centers of run when using reasonable thumb pressure.

CAUTION: Do not over-tension the belts. This may make the motor have difficulty starting or may damage bearings.



- Lock the motor position in when the tension is correct with the belt tension lock knobs on both sides.

NOTE: The idler pulley floats so that tension is applied equally to both belts.

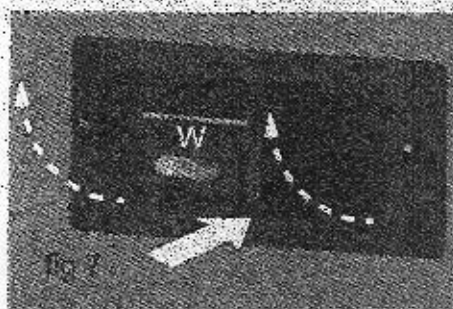
- Close the belt / pulley cover.
- If belts slip while drilling, they require an adjustment to the belt tension.

CHUCK

- Clean out the tapered hole in the chuck (r, fig 3), removing any grease, anti-rust coating or dirt you find.
- Clean grease, coating and dirt from the MT2 tapered spindle tip with a clean cloth.
- Turn the chuck sleeve clockwise, opening the chuck's jaws as far as they will go so they are fully retracted into the chuck.
- Push the chuck up on the spindle as far as possible. Then either:
 - Lightly tap the lower end of the chuck with a piece of wood to ensure the chuck fits tightly on the spindle. It is fine to use a hammer, but do not use a metal hammer directly on the chuck. Place a piece of wood between the hammer face and the chuck. or
 - Place a piece of scrap wood on the table. Raise the table until the wood is about 2" (50 mm) below the chuck. Lock the table there. Turn the feed handles counter-clockwise, forcing the chuck down against the wood. This will secure the chuck on the spindle.
- To remove the chuck, see Maintenance.

LASER BATTERIES

1. Locate the laser switch (W, fig 5) on the left side of the head assembly.
2. Press the tab located below the laser switch (fig 7) and raise the cover.
3. Insert 2 "AA" batteries, oriented in the directions indicated.
4. Close the switch cover.



CAUTION: Remove these batteries from the compartment when the tool is to be stored without use for more than a few days. If left in, the batteries may leak and damage the laser device. Damage from leaking batteries is not covered under the warranty.



ADJUSTMENTS

WARNING! To reduce the risk of injury, keep pulley cover in place and in proper working order when operating.



SPEED AND BELT ADJUSTMENT

SELECT THE SPEED

The material you are drilling into and the size of hole you are planning to make should determine the speed at which you set the drill press. As a rule of thumb, small drill bits require more speed than large drill bits and soft materials require more speed than hard ones.

APPROXIMATE RECOMMENDED DRILLING SPEEDS*

Speed range	Wood		Non-ferrous metals Aluminum / Zinc / Brass		Iron & Steel	
	Drill bit diameter					
2000 to 3100 rpm	3/8"	9.5 mm	7/32"	5.6 mm	3/32"	2.4 mm
1400 to 2000 rpm	5/8"	16 mm	11/32"	8.75 mm	5/32"	4 mm
1000 to 1400 rpm	7/8"	22 mm	15/32"	12 mm	1/4"	6.4 mm
800 to 1000 rpm	1-1/4"	31.75 mm	11/16"	17.5 mm	3/8"	9.5 mm
530 to 800 rpm	1-5/8"	41.4 mm	3/4"	19 mm	5/8"	16 mm

* These speeds are only general guides and vary further according to the particular material you are working with (the kind of wood, for instance), the type of drill bit or cutter you are using, any lubricants you may use and the quality of the cut desired.

1. Select the speed by moving the belt to the appropriate pulleys. Open the belt / pulley cover (V, fig 4 & 5)
2. Consult the belt position / speed diagram.

rpm: 240 tr/min 	rpm: 300 tr/min 	rpm: 412 tr/min 	rpm: 470 tr/min
rpm: 530 tr/min 	rpm: 600 tr/min 	rpm: 720 tr/min 	rpm: 770 tr/min
rpm: 820 tr/min 	rpm: 870 tr/min 	rpm: 1300 tr/min 	rpm: 1720 tr/min
rpm: 1850 tr/min 	rpm: 2050 tr/min 	rpm: 2700 tr/min 	rpm: 3200 tr/min

- Loosen the belt tension lock knobs; one on each side of the drill press head.
- Turn the belt tensioning handle (Y, fig 5) clockwise. This will pull the motor forward, closer to the drill press head; bringing the motor pulley closer to the spindle pulley, allowing the drive belts to be slipped on.
- Choose the best speed for the drilling operation planned and install the belts in the correct position on the pulleys to produce that speed.

WARNING! Be sure the drill press is turned off and unplugged at any time the belt & pulley cover is open and you have your hands in that area.



- Place the belts on the three pulleys according to the needed spindle speed.
- Re-tension the belts when they are set in position by pushing the motor away from the spindle (front) end of the drill press head and re-tightening the belt tension lock knobs. Turn the belt tension lever counter-clockwise.
- The belt should be tight enough to prevent slippage. Belt tension is set correctly if a belt deflects about 1/2" (13 mm) when thumb pressure is applied to it halfway between each set of pulleys.

CAUTION: Do not over-tension the belts. This may make the motor have difficulty starting or may damage bearings.



- Close the belt / pulley cover.

TABLE ADJUSTMENTS

TABLE HEIGHT

- Raise or lower the table by loosening the table support lock handle (K, fig 4) and turning the crank handle (I, fig 5) until the table is at the height desired.
- Be sure to re-tighten the table support lock handle before drilling.

TABLE ROTATION

Rotate the table around the column:

- By loosening the table support lock handle and moving the table around the column to the placement desired.
- The table height adjustment rack should also slide around the column as you do this.
- Line up the drill bit with the table center hole when through-boring to preclude damage to the table.
- Be sure to re-tighten the table support lock handle before drilling.

The table can also spin on its own axis:

- Loosen the table lock handle (G, fig 4 & 5).
- Turn the table to the desired position.
- Re-tighten the table lock handle.

TABLE TILT

The table has a range of tilt available from 0 to 45° to the left and right.

- Locate the table bevel lock bolt underneath the table.
- To tilt the table, loosen the M16 x 35 mm table bevel lock screw (F, fig 4 & 5) under the table with a wrench.
- Tilt the table to the desired angle (you can use the bevel scale on the support as a rough gauge).
- Re-tighten the table bevel lock bolt.

NOTE: It is a good idea to always check that the angle is correct with a protractor or a combination square.

The table should be squared to the head for normal drilling operations.

- Use the bevel scale on the support as a rough gauge and set the table at 0°.
- Insert a 3" (7.6 cm) long drill bit into the chuck and tighten. Make sure it is caught straight in the jaws.

3. Raise and lock the table at about 1" (2.5 cm) below the tip of the drill bit.
4. Use a combination square placed on the table to check. The drill bit should be parallel to the straight edge of the square.
5. Make any adjustment needed by loosening the table bevel lock bolt with a wrench and tilting the table.
6. Tighten the bevel lock bolt.

DEPTH GAUGE AND STOP

- The depth gauge allows the operator to see depth of the travel of the quill, spindle and drill bit while operating the tool.
- To stop the drill's downward travel at a consistent specific depth, particularly for repeat drilling, set up the depth stop.

With the drill press turned off:

1. Set the bottom edge of the lower nut (#1) even with the desired depth setting marked on the scale.
2. Check the depth: Lower the drill using the feed handles alongside the workpiece until it hits the stop. Compare it to the desired hole depth.
3. If OK, tighten nut #2 against nut #1 to lock the position.
4. The depth stop is now set and will provide repetitive holes of equal depth.
5. Nut #3 can also be brought into play to limit the upward retraction of the bit.
6. After using the drill press at the set depth provided by the depth stop, remember to return the stop to the top of its range.

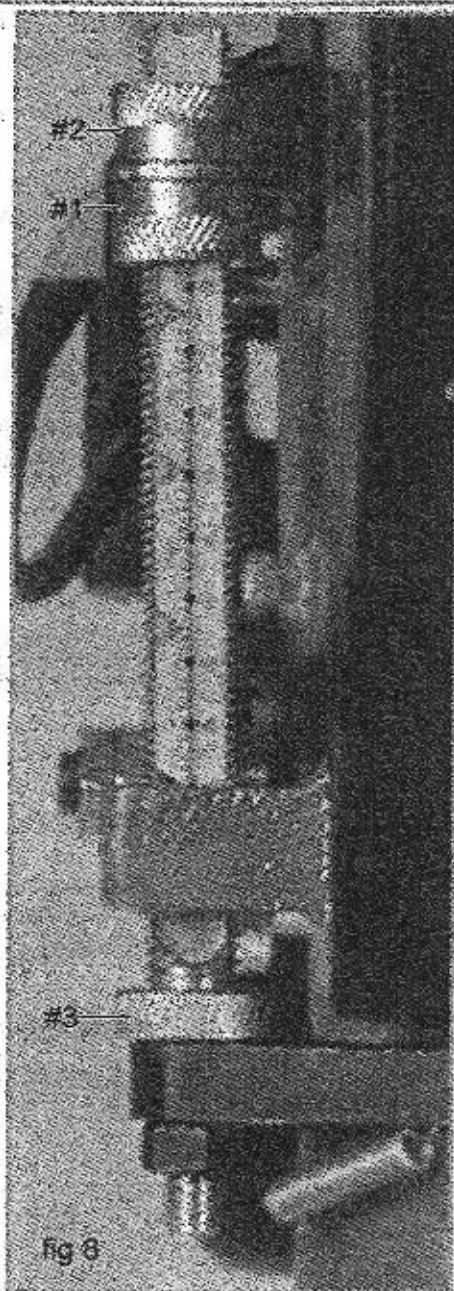


fig 8

OPERATING INSTRUCTIONS

WARNING! Before using this machine, the operator should carefully read over this operation manual and acquaint himself with the construction, controls and drive system of the drill press.



SELECT THE SPEED

1. The material you are drilling into and the size of hole you are planning to make should determine the speed at which you set the drill press. As a rule of thumb, small drill bits require more speed than large drill bits and soft materials require more speed than hard ones.
2. Select the speed by moving the belt to the appropriate pulleys.

DRILL BIT

1. Insert the drill bit into the chuck (N, fig 4 & 5) far enough to obtain maximum grip from the chuck jaws. Make sure the drill bit is centered in the chuck.
2. Insert the chuck key (q, fig 3) and turn it clockwise to tighten (and counter-clockwise to loosen) the drill bit. It is good practice to turn the chuck key in each of the three holes of the chuck when tightening it.
3. Before the final tightening with the chuck key, be sure the drill bit is centered in the chuck jaws.
4. Tighten the chuck sufficiently to prevent the bit slipping in the jaws during drilling. As a test, turn the drill press on and immediately off to check if the drill bit wobbles.

LASER

1. Place a work piece on the table.
2. Turn the laser switch on (press I).

DANGER! Do not stare directly at the laser beam. Eye damage may occur if you deliberately stare into the beam.



3. Lower the drill bit (not turning) to touch the work piece. The two laser lines should cross where the drill meets the work piece.
4. If the laser needs to be adjusted:
 - Using a hex wrench, turn the laser adjustment hex screws counter-clockwise.
 - Move the laser light housing until the two lines intersect where the drill meets the work piece. DO NOT stare directly at the laser lines.
 - Re-tighten the adjustment hex screws.

WORK LIGHT

You may want to light up the work table and eliminate shadows on the work piece.

To turn on the work light, move the work light switch located below the drill press' main switch (fig 9) to ON (I).



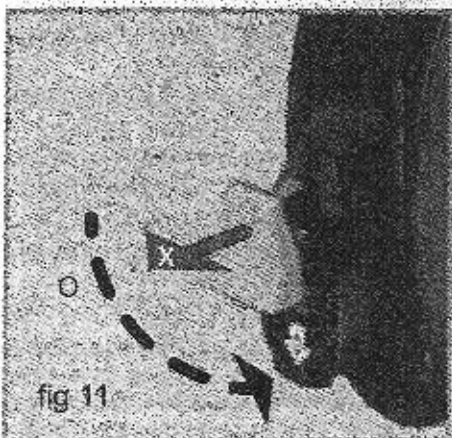
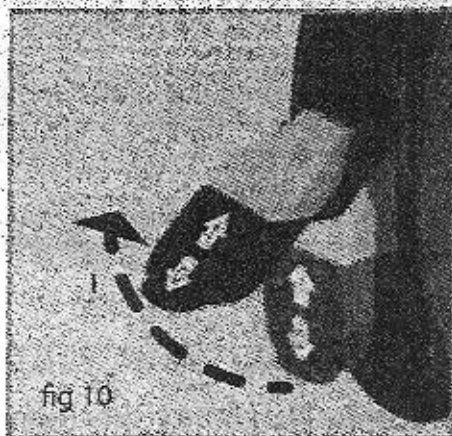
fig 9

DRILLING

1. For safety, the switch cannot be turned ON without the key.
2. To turn the drill press ON, with the safety key inserted into the switch housing, lift the switch upward to the ON (I) position (fig 10).
3. To turn the drill press off, press the switch back to the down position (O, fig 10).
4. To lock the switch in the OFF (O) position, pull the yellow safety key

(X, fig 11) out of the switch. Store the key in a safe place.

5. Use the feed handles to push the drill bit slowly into the material.



Particularly in wood drilling, ease up on the pressure when nearing the point where the drill bit is about to emerge on the other side of the workpiece.

6. After drilling a hole, do not release the feed handle but restrain it lightly, allowing the spring to raise spindle sleeve gently to its original position.
7. Turn off the drill press.
8. Switch off the laser.
9. Switch off the work light.

WARNING! After switching off, never leave the machine unattended until it has come to a complete stop.



WARNING! In case of any trouble or abnormal noise arising during this operation, stop the motor at once, unplug the machine from the power source and find out the cause. Do not resume until the problem has been solved.



MAINTENANCE

WARNING! For your own safety, turn the switch off and remove the plug from the power source outlet before adjusting, maintaining or lubricating your drill press.



WARNING! To avoid electrocution or fire, any repairs to electrical systems should be done by an authorized repair center.



GENERAL

Keep your tool in good condition by adopting a regular maintenance program.

1. Before use, examine the general condition of your tool.
2. Check for loose screws, misalignment, binding of moving parts, improper mounting, broken parts, and any other condition that may affect its safe operation.
3. If power cord is worn, cut or damaged in any way, have it replaced immediately.
4. If abnormal noise or vibration occurs, turn the tool off immediately and have the problem corrected before further use.
5. Do not use a damaged tool.
6. Never disassemble the tool or try to do any rewiring on the tool's electrical system.
7. Keep the tool handles clean, dry and free of oil or grease.
8. Use only mild soap and damp cloth to clean your tool since certain cleaning agents and solvents are harmful to plastics and other insulated parts. Some of these harmful solvents include: gasoline, turpentine, lacquer thinner, paint thinner, chlorinated cleaning solvents, ammonia, and household detergents containing ammonia.
9. After use, blow out or vacuum sawdust and metal chips that may have accumulated in and on the motor, the belt and pulley housing, and the table.
10. Ball bearings are packed with grease at the factory. They require no further lubrication. The ball bearings in the spindle and the V-belt pulley assembly are greased and permanently sealed.
11. Periodically pull down and lubricate the grooves in the spindle and the teeth of the quill, usually about every three months.
12. Occasionally apply a light coat of paste wax to the column and table to help keep these surfaces clean and rust-free.
13. Lubricate the table bracket and locking knobs if they become difficult to use.
14. Cut off the power supply when not in use.

REMOVING THE CHUCK AND ARBOR

1. Turn "OFF" and disconnect the drill from the power source.
2. Using feed handles, lower the quill assembly to the lowest position.
3. Insert the drift key (o, fig 3) into, and all the way through the quill assembly.

NOTE: It may be necessary to rotate the chuck by hand in order to be able to get the drift all the way through.

4. While holding onto the chuck to prevent damage, either tap on the end of the drift with a hammer or raise the quill assembly sharply using the feed handles.
5. The arbor and chuck should fall out.

NOTE: To avoid possible damage, be ready to catch the chuck assembly as it falls.

SPINDLE PLAY

1. Move the spindle to the lowest position and hold it in place with one hand on a feed handle.
2. With your other hand, try to make it revolve around its axis with a side motion.
3. If you find there is too much play:
 - Loosen the lock nut on the lower left side of the drill press head (k, fig 12) behind the depth gauge.
 - Turn the screw (c, fig 12) clockwise to eliminate play, but not so much as to restrict the upward and downward motion of the spindle. A little bit of play is normal.
 - Tighten the lock nut.

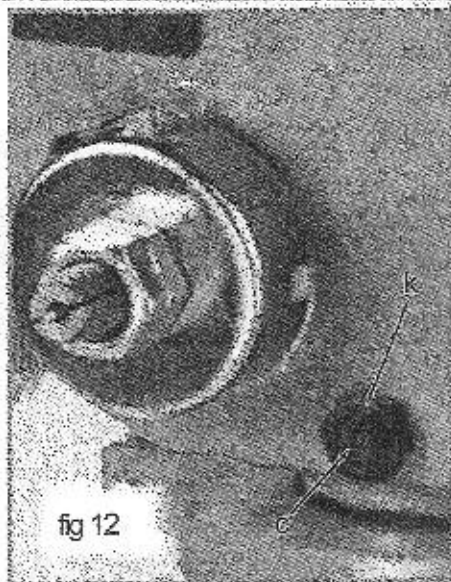


fig 12

QUILL RETURN SPRING

The quill is equipped with a return spring that pulls the spindle and drill bit back up to its resting position after release of the feed handles. It is essentially a spring and a notched housing. The spring has been properly adjusted at the factory and should not need readjustment unless absolutely necessary. If required, it can be adjusted as follows:

1. Unplug the drill press.
2. Locate the return spring housing on the left side of the drill press head.
3. Use needle nose pliers or a screwdriver thrust into the loop (s, fig 13) to hold the spring in place.
4. Loosen the two housing nuts (n, fig 13) approximately 1/4" (6 mm). Do not remove the nuts from the threaded shaft.
5. While holding tightly to the spring housing (h, fig 13), carefully pull it out until it clears the raised notch (r, fig 13).
6. Turn it until the next notch in the housing is engaged by the raised notch.
 - To increase the tension, turn it counter-clockwise.
 - To decrease the tension, turn it clockwise.
7. Tighten the two housing nuts.

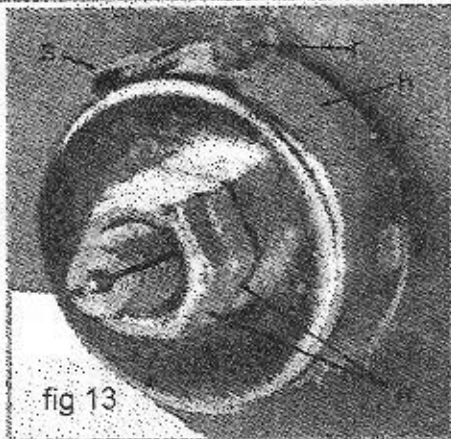


fig 13

CAUTION: Do not overtighten the two nuts. If the nuts are tightened too much, the movement of the spindle and feed handles will be restricted.



WARNING! Never use flammable or combustible solvents around tools.



WARNING! To reduce the risk of injury, electric shock and damage to the tool, never immerse your tool in liquid or allow liquid to flow inside the tool.

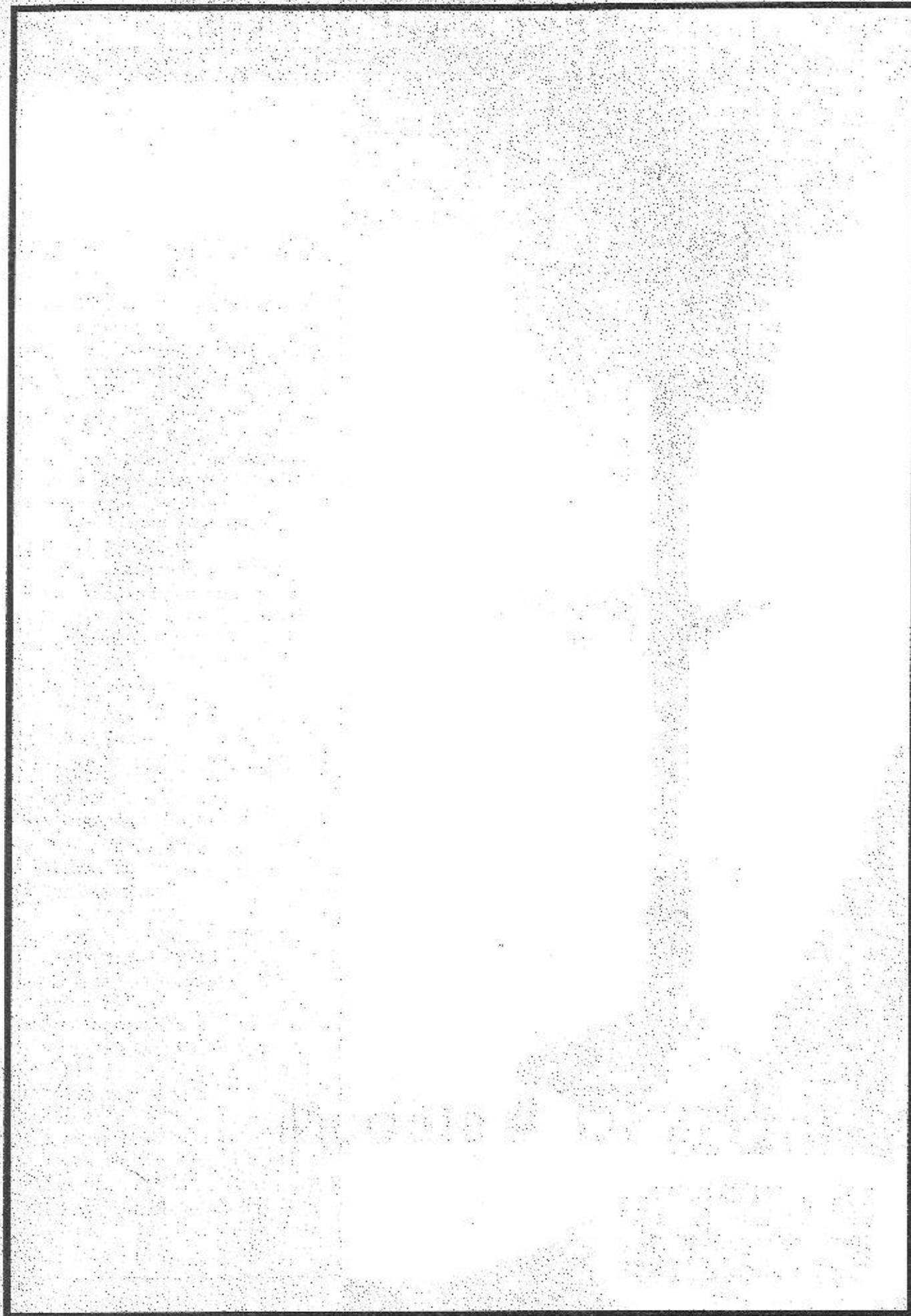


TROUBLESHOOTING

PROBLEM	POSSIBLE CAUSE	SOLUTION
Operation is noisy under load	Improper belt tension Dry spindle Loose pulley	Adjust tension Remove and oil spindle / quill assembly Check and tighten pulley attachments or set screws
Excessive runout	Bent drill bit Drill bit is improperly mounted in chuck Chuck is loose Damaged bearings or spindle Chuck is loose	Replace drill bit Check that chuck holds bit cleanly Clean chuck / spindle joint Retighten chuck- press down with chuck against wooden block on table Replace spindle shaft or bearing Replace chuck
Motor will not start	Power supply is faulty Problem with motor connection Faulty switch Motor windings burned	Check power cord Check connections to motor Replace Replace motor
Drill bit binds in material	Too much feed pressure Belts are slipping Loose drill bit Drilling speed is wrong Drill angle or bit type is wrong for material Workpiece moves during drilling	Less force on feed handles Check belt tension Tighten chuck correctly Refer to speed table Check material information and handling instruction Properly support or clamp workpiece
Drill bit burns or smokes in material	Wrong speed for material and hole size Chips are not being evacuated from hole Dull bit or incorrect clearance Needs coolant Feed is too slow	Refer to speed table Clean the drill bit Replace or sharpen bit Use coolant Increase speed at feed handles
Quill returns too slowly or with too much force	Quill return spring is improperly adjusted Dust on or in quill assembly	Adjust tension Clean and lubricate
Table raises with difficulty	Lack of lubrication Table lock is tightened	Apply a light oil Loosen table lock handle
Excessive tearout on underside	Too much feed pressure No backing material	Less force on feed handles Use another piece of scrap material as backing
Drill bit veers off hole	Hard grain in wood Bent drill bit Too much force	Lubricate drill bit Replace Use a lower feed speed

NOTE: SERVICE AND REPAIRS should be made by qualified repair technicians at an authorized repair center. Improperly repaired tools could cause serious shock or injury.

NOTE: REPLACEMENT PARTS. When servicing, use only the manufacturer's recommended replacement, identical replacement parts and accessories.



MANUEL D'INSTRUCTIONS ET D'ASSEMBLAGE

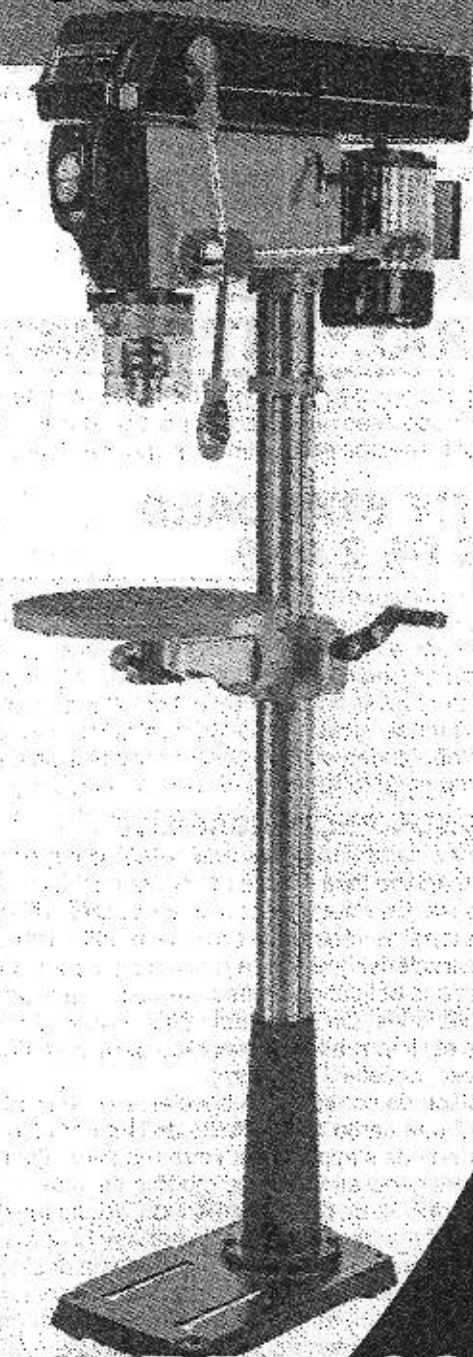
PERCEUSE À COLONNE 15 PO

CARACTÉRISTIQUES

- Modèle de plancher
- Mandrin de 16 mm (5/8 po)
- 16 vitesses
- Laser de précision avec guide de centrage au design cruciforme breveté
- Lampe DEL incorporée éclairant la table de travail
- Garde de sécurité du mandrin transparent pouvant être relevé
- Interrupteur facilement accessible avec clé de sécurité
- Grande poignées d'alimentation ergonomique
- Guide d'arrêt avec gradation
- Construction robuste de fonte et d'acier

SPÉCIFICATIONS

- Moteur : 120 V ~ 60 Hz
- Puissance : 550 W
- Diamètre de perçage : 15 po (390 mm)
- Table de travail : 12.4 po (315 mm)
- Base : 13-3/8 po x 10-5/8 po (340 mm x 265 mm)
- Capacité de perçage : 3/4 po (20 mm)
- Fuselage : MT2
- Hauteur total : 63 po (1610 mm)
- Plage de vitesse : 240-3200 tr/min
- Table pivotante de 0 à 45 degrés
- Certification CSA
- Poids net : 137 lb (62 kg)



Modèle # DP2006



NOUS VOUS REMERCIONS

d'avoir choisi une machine de General International. Cette outil a été soigneusement testée et inspectée avant de vous être expédiée, et moyennant une utilisation et un entretien adéquats, elle vous procurera un service fiable pendant de nombreuses années. Afin d'obtenir un rendement optimal et une utilisation sans problème, et d'optimiser votre investissement, veuillez prendre le temps de lire ce manuel avant d'assembler, d'installer et d'utiliser l'unité.

Ce manuel vise à vous familiariser avec l'utilisation sécuritaire, les fonctions élémentaires et les caractéristiques de cette scie ainsi qu'avec le réglage, l'entretien et l'identification de ses parties et composantes. Il n'est pas conçu pour remplacer un enseignement théorique sur le travail ni pour offrir à l'utilisateur une formation en la matière. En cas de doute concernant la sécurité d'une opération ou d'une procédure, demandez l'aide d'une personne qualifiée avant d'entamer le travail. Une fois que vous avez lu ces instructions, conservez ce manuel aux fins de consultation ultérieure.

GARANTIE DE GENERAL® INTERNATIONAL

Toutes les composantes des machines de General® International sont soigneusement inspectées durant chacune des étapes de production, et chaque unité est inspectée en profondeur une fois l'assemblage terminé.

GARANTIE STANDARD LIMITÉE DE 2 ANS

En raison de son engagement envers la qualité et la satisfaction du consommateur, General® International accepte de réparer ou de remplacer toute pièce qui, suite à l'examen, se révèle défectueuse quant au matériel et au fini d'exécution pour une période de 2 ans (24 mois) suivant la date d'achat. Pour se prévaloir de la garantie, l'acheteur doit retourner toutes les pièces défectueuses port payé à General® International. Les réparations effectuées sans le consentement écrit de General® International annuleront la garantie.

CLAUSE DE NON-RESPONSABILITÉ

L'information et les caractéristiques présentées dans ce manuel se rapportent à la machine telle qu'elle est sortie de l'usine au moment de mettre sous presse. En raison de son souci d'amélioration constante, General International se réserve le droit de modifier des composantes, des pièces ou des caractéristiques de la machine si cela est jugé nécessaire, sans préavis et sans obligation d'effectuer ces modifications sur les machines déjà vendues. On prend soin de s'assurer à l'usine que les caractéristiques et l'information présentées dans ce manuel correspondent à la machine avec laquelle il est fourni.

Toutefois, en raison de commandes spéciales et de modifications réalisées "hors de l'usine," une partie ou la totalité de l'information contenue dans ce manuel peut ne pas s'appliquer à votre machine. De plus, comme il se peut que plusieurs générations de ce modèle de scie, et plusieurs versions de ce manuel soient en circulation, il est possible que ce manuel ne décrive pas exactement votre machine si vous possédez une version antérieure ou ultérieure. Si vous avez des doutes ou des questions, veuillez communiquer avec votre détaillant ou notre ligne de soutien technique et mentionner le numéro de modèle et de série de votre machine afin d'obtenir des éclaircissements.

DEMANDE DE RÉCLAMATION

Pour présenter une demande de réclamation en vertu de notre Garantie Standard Limitée de 2 ans, ou en vertu de notre Garantie Limitée à Vie, toute pièce, composante ou machinerie défectueuse doit être retournée, port payé, à General® International, ou encore à un distributeur, un centre de réparation ou tout autre emplacement situé près de chez vous et désigné par General® International. Pour plus d'informations ou si vous avez besoin d'aide pour remplir une demande de réclamation, contactez notre département de service au 1-888-949-1161.

Une copie de la preuve d'achat originale ainsi qu'une lettre (un formulaire

de réclamation de garantie peut vous être fourni sur demande par General® International ou par un distributeur agréé) spécifiant clairement le modèle et le numéro de série de l'unité (si applicable), et faisant état de la plainte ou du défaut présumé, doivent être jointes au produit retourné.

CONDITIONS ET EXCEPTIONS

Cette couverture ne s'applique qu'au premier acheteur. Un enregistrement préalable de la garantie n'est pas requis. Par contre, une preuve d'achat – soit une copie du coupon de caisse ou du reçu original, sur lequel figurent la date et le lieu d'achat ainsi que le prix payé – doit être fournie lors de la réclamation.

La Garantie ne couvre pas les défaillances, bris ou défauts qui, après examen par General® International, sont considérés comme étant directement ou indirectement causés par ou résultant de: une utilisation incorrecte, un entretien inadéquat ou l'absence d'entretien, un usage inapproprié ou abusif, la négligence, un accident, des dommages survenus durant la maintenance ou le transport, ou encore l'usure normale ou la détérioration des pièces et composants considérées, de façon générale, comme étant des consommables.

Les réparations effectuées sans le consentement écrit de General® International annuleront toute garantie.

LISEZ TOUTES LES INSTRUCTIONS AVANT L'UTILISATION

CONSERVEZ CES INSTRUCTIONS

Avant d'essayer de faire fonctionner votre nouvel outil, veuillez lire les instructions au complet. Vous aurez besoin de ces instructions pour les avertissements de sécurité, les précautions, l'assemblage, le fonctionnement, les procédures d'entretien, la liste des pièces et les schémas des pièces. Gardez votre facture avec ces instructions. Écrivez votre numéro de facture à l'intérieur de la page couverture. Gardez les instructions ainsi que la facture dans un endroit sûr et sec pour référence future.

LES AVERTISSEMENTS, LES PRÉCAUTIONS ET LES

instructions discutés dans ce manuel ne peuvent pas couvrir toutes les conditions et les situations qui pourraient survenir. L'utilisateur se doit de comprendre que le bon sens ainsi que la prudence sont des facteurs qui ne peuvent être incorporés dans ce produit, mais peuvent être fournis par l'utilisateur lui-même.



REGLES DE SÉCURITÉ ET DIRECTIVES

L'objectif des symboles de sécurité est d'attirer votre attention sur les risques potentiels. Les symboles de sécurité, ainsi que les explications les accompagnant, nécessitent votre attention et votre compréhension. Les avertissements de sécurité n'éliminent pas d'eux-mêmes tous les dangers. Les instructions ou les avertissements qu'ils donnent ne sont pas un remplacement aux mesures de prévention d'accident appropriées.

DANGER! Indique une situation à risque imminent, laquelle si elle n'est pas évitée, causera de sévères blessures ou la mort.



AVERTISSEMENT! Indique une situation à risque imminent, laquelle si elle n'est pas évitée, pourrait causer de sévères blessures ou la mort.



ATTENTION! Indique une situation à risque imminent, laquelle si elle n'est pas évitée, peut causer des blessures mineures ou des blessures légères. Il peut aussi être utile de demeurer alerte au sujet des pratiques non sécuritaires qui pourraient causer des dommages à la propriété.



AVERTISSEMENTS ET PRÉCAUTIONS

Assurez-vous de lire, comprendre et suivre tous les avertissements et consignes de sécurité dans le manuel de l'opérateur.

ZONE DE TRAVAIL

1. TENEZ LES ENFANTS ET AUTRES PERSONNES ÉLOIGNÉS

Tous les enfants doivent être tenus à l'écart de la zone de travail. Ne les laissez pas utiliser des machines, des outils ou des rallonges électrique. Les visiteurs peuvent être une distraction et sont difficiles à protéger contre les blessures.

2. GARDER LE LIEU DE TRAVAIL PROPRE

et assurez-vous d'un éclairage adéquat est disponible. Les endroits encombrés peuvent créer des blessures.

3. METTRE L'ATELIER L'ÉPREUVÉ DES ENFANTS

avec des cadenas, avec les interrupteurs principaux ou en retirant les clés de démarrage.

4. ÉVITEZ LES ENVIRONNEMENTS DANGEREUX

Ne pas utiliser d'outils électriques dans des endroits humides ou mouillés. Garder la zone de travail bien éclairé. Ne pas exposer les outils électriques à la pluie. Ne pas utiliser l'outil en présence de liquides ou gaz inflammables.

5. ENTREPOSAGE DES ÉQUIPEMENTS

Entreposer vos équipements dans un endroit sec pour empêcher la rouille. Les équipements devraient aussi être entreposés dans un endroit verrouillé ou garder hors de portée des enfants.

SÉCURITÉ PERSONNELLE

1. APPRENDRE LES APPLICATIONS ET LES LIMITES DE LA MACHINE

ainsi que les risques spécifiques à cette machine. Suivez les instructions de sécurité disponibles et les règles de sécurité attentivement.

2. NE PAS TROP SE PENCHER

Garder une position correcte en tout temps.

3. DEMEUREZ ALERTE

Regardez ce que vous faites. Utilisez votre bon sens. Ne pas utiliser l'outil lorsque vous êtes fatigué. Ne pas l'utiliser sous médication ou si vous avez consommé de l'alcool ou d'autres drogues.

4. ÉVITEZ LES DISTRACTIONS DURANT LES SESSIONS DE TRAVAIL.

5. PORTEZ DES VÊTEMENTS APPROPRIÉS.

Ne portez pas de vêtements amples, gants, bracelets, colliers, bijoux lors de l'utilisation de l'outil. Porter un masque ou un dispositif de protection pour les yeux, les oreilles, les voies respiratoires et pour le corps comme indiqué dans le fonctionnement de l'appareil.

6. PORTEZ TOUJOURS DES LUNETTES DE SÉCURITÉ.

Utilisez également un masque anti-poussière si le sablage soulève de la poussière, et des bouchons d'oreille pendant de longues périodes de fonctionnement. Les lunettes ordinaires ont des verres résistants aux chocs, ils NE SONT PAS des lunettes de sécurité.

7. PORTEZ UNE PROTECTION RESPIRATOIRE.

L'utilisation de cet outil peut produire et / ou répandre de la poussière, ce qui peut entraîner des problèmes respiratoires graves et permanents ou d'autres blessures. De nombreux types de bois sont naturellement toxiques, surtout sous forme de poussière. Porter un masque anti-poussière propre si le travail consisté à créer beaucoup de poussière fine ou grossière, toujours utiliser NIOSH / OSHA approuvé une protection respiratoire appropriée pour l'exposition à la poussière. Diriger les particules loin du visage et du corps.

8. PORTEZ UNE PROTECTION AUDITIVE,

Spécialement si exposé à répétition.

9. ATTENTION AUX DÉCHARGES ÉLECTRIQUES

Éviter tout contact corporel avec des surfaces en mises à la terre. Par exemple: tuyaux, radiateurs, cuisinières, réfrigérateurs. Quand votre



corps est en mis à la terre le risque de choc électrique augmente. Lorsque l'on travaille, il est possible d'avoir certains fils électriques avec courant autour de vous, tenter de déterminer si il y a un danger de choc. Ne touchez pas les parties métalliques DE L'OUTIL tout en l'utilisant. Tenez l'outil par la poignée en plastique pour éviter un choc électrique si vous venez en contact avec un fil sous tension.

10. TOUJOURS DÉBRANCHER L'OUTIL AVANT DE FAIRE L'ENTRETIEN

et changer les accessoires tels que bandes abrasives, les courroies, des lames ou couteaux.

11. LAISSEZ LES GARDES EN PLACE

et en ordre de marche. Si un garde doit être enlevé pour l'entretien ou le nettoyage, assurez-vous qu'il est correctement fixé avant d'utiliser à nouveau l'outil.

12. VERIFIER QUE LES CLÉS ET MOLETTES DE RÉGLAGE SONT RETIRÉES

avant la mise sous tension, laisser en place ces pièces peuvent s'envoler au démarrage et entraîner des blessures.

13. ASSUREZ-VOUS QUE LE COMMUTATEUR EST EN POSITION ARRÊT «OFF»

avant de brancher le cordon pour réduire le risque de départs involontaires.

14. ASSUREZ-VOUS QUE LA MISE À TERRE EST OPÉRATIONNELLE

Si l'outil est équipé d'une fiche à trois branches, il doit être branché sur une prise électrique à trois pôles. Ne jamais enlever la troisième branche.

15. NE JAMAIS MONTER SUR L'OUTIL

De graves blessures peuvent se produire si l'outil bascule ou si le foret est accidentellement en contact avec vous.

16. GARDER LES MAINS LOIN DES FORETS

et toutes les pièces mobiles. Ne pas enlever la sciure ou la poussière avec mains. Utilisez une brosse.

17. UTILISATION SI POSSIBLE D'UN COLLECTEUR DE POUSSIÈRE

avec un couvercle pour réduire les risques pour la santé.

18. SECURISER VOTRE PIÈCE.

Utilisez des pinces ou un étau pour maintenir la pièce. Il est plus sûr que d'utiliser vos mains et il libère les deux mains pour faire fonctionner l'outil.

19. DÉBRANCHER LE CORDON D'ALIMENTATION

avant de faire des ajustements. Modification des pièces jointes ou accessoires peuvent être dangereux si l'outil accidentellement démarrait.

LA SÉCURITÉ DE L'OUTIL

1. ASSUREZ-VOUS QUE L'OUTIL

est à sa vitesse d'opération avant de présenter une pièce pour le perçage

2. NE PAS ALIMENTER TROP RAPIDEMENT.

L'outil a de meilleures performances et sera plus sécuritaire s'il travaille à la vitesse pour lequel il a été conçu.

3. NE JAMAIS LAISSER LA MACHINE SOUS TENSION

4. NE PAS FORCER LA MACHINE.

Elle fera mieux son travail et plus sûrement à une vitesse pour laquelle il a été conçu. Ne forcez pas un petit outil ou accessoire pour faire le travail d'un plus grand outil industriel. Ne pas utiliser un outil pour un usage pour lequel il n'a pas été prévu.

5. ENTREtenir LES OUTILS AVEC SOIN.

Garder les outils affûtés et propres pour un meilleur rendement. Suivre les instructions pour la lubrification et pour une performance sécuritaire. Suivez les instructions pour la lubrification et pour le changement des accessoires. Gardez les poignées sèches, propres et exempt d'huile et de graisse.

6. DÉBRANCHEZ LE CORDON D'ALIMENTATION AVANT DE PROCÉDER AUX REGLAGES.

Changement de pièces et accessoires peut être dangereux si l'outil démarrait accidentellement.

7. ÉVITEZ TOUT DÉMARRAGE INVOLONTAIRE.

Assurez-vous que le commutateur est en position ARRÊT/OFF avant de brancher. Ne pas transporter l'outil avec la source d'alimentation branchée ou le doigt sur la gâchette.

8. GARDEZ LE GARDE EN PLACE,

en ordre de marche, avec de bon ajustement et alignement.

9. NE PAS UTILISER L'OUTIL

si elle ne peut être allumé ou éteint. Faire réparer votre outil avant de l'utiliser.

10. VÉRIFIEZ L'ÉTAT DES PIÈCES.

Avant d'utiliser cet outil, si une pièce est endommagée elle devrait être soigneusement vérifiées pour qu'il fonctionne bien et effectue le travail prévue. Vérifier l'alignement des pièces mobiles, la combinaison de pièces mobiles, des pièces brisées, support, et d'autres conditions qui pourrait affecter le fonctionnement. Inspecter et resserrer les boulons ou vis qui se sont relâchés. Toute pièce endommagée doit être correctement réparée ou remplacée par un centre de service autorisé, sauf indication contraire ailleurs dans le manuel d'instruction. Faire remplacer un interrupteur défectueux par un centre de service agréé.

11. OBTENEZ DES CONSEILS

de votre superviseur, instructeur ou d'une autre personne qualifiée si vous n'êtes pas complètement familiarisé avec le fonctionnement de cette machine. La connaissance est sécurité.

12. UTILISEZ LES ACCESSOIRES RECOMMANDÉS.

L'utilisation d'accessoires non recommandés par Général International peut entraîner un risque de blessure.

SERVICE**1. INSPECTION ET ENTRETIEN RÉGULIER DE L'OUTIL.**

Le faire réparer par un technicien agréé.

2. ENTRETENIR LES OUTILS AVEC SOIN.

Garder les outils propres pour un meilleur rendement. Suivre les instructions pour la lubrification et pour des performances sécuritaires. Suivez les instructions pour le changement des accessoires. Gardez les poignées sèches, propres et exemptes d'huile et de graisse.

3. VÉRIFIEZ LES OUVERTURES DE VENTILATION

Soit maintenus libres de tout débris.

4. SI LE CORDON EST ENDOMMAGÉ LE FAIRE RÉPARER

que par un centre de service agréé.

5. SERVICE ET REPARATION DOIVENT ÊTRE EFFECTUÉES PAR UN TECHNICIEN QUALIFIÉ

à un centre de réparation agréé. Un outil mal réparé peut causer des blessures ou des chocs.

6. PIÈCES DE REMPLACEMENT.

Lors de l'entretien, utilisez uniquement les pièces ou accessoires de remplacement du fabricant.

7. LE FABRICANT NE SERA PAS RESPONSABLE

pour toutes les modifications apportées à l'outil, non plus pour tout dommage résultant de de telles modifications.

INSTRUCTIONS DE SÉCURITÉ SPÉCIFIQUES À CETTE OUTIL

Chaque atelier étant unique, il est impossible de dresser une liste exhaustive des mesures de sécurité. Le plus important des dispositifs de sécurité d'une machine reste la connaissance que l'utilisateur a de cette dernière. Faites preuve de bon sens et gardez toujours à l'esprit les mesures de sécurité qui s'appliquent à la situation particulière de votre

atelier. En cas de doutes concernant la sécurité d'une opération que vous êtes sur le point d'effectuer, ARRÊTEZ! N'entamez pas le travail avant d'avoir vérifié auprès d'une personne qualifiée si l'opération peut être effectuée de façon sécuritaire et quelle est la méthode la plus sûre pour l'effectuer.

ATTENTION! Pour éviter des erreurs qui pourraient causer des blessures sérieuses ou permanentes ne pas brancher la perceuse jusqu'à ce que les mesures suivantes ont été complètes.

- Assemblée et alignement.
- Connaître l'utilisation et la fonction de l'interrupteur marche / arrêt, bouton d'alignement de la courroie, levier de tension de la courroie, table de travail et molette d'inclinaison de la table de travail.
- Examen et la compréhension de toutes les consignes de sécurité et de fonctionnement procédures opérationnelles de ce manuel.
- Examen des méthodes de maintenance pour cette perceuse.



1. LISEZ LES AVERTISSEMENTS SUR L'OUTIL.

2. ÉVITEZ TOUT DÉMARRAGE INVOLONTAIRE.

Assurez-vous que le commutateur est en position ARRÊT/OFF avant de brancher.

3. VÉRIFIEZ ET ASSUREZ VOUS DE RETENIR TOUTES CLÉS ET CLÉS D'AJUSTEMENTS

avant de mettre l'outil en marche. Si vous laissez ces pièces elles peuvent s'envoler et entraîner des blessures.

4. NE PAS UTILISER CETTE MACHINE SANS QU'ELLE SOIT TOTALEMMENT ASSEMBLÉE

et installée conformément aux instructions. Une machine incorrectement assemblée peut provoquer des blessures graves.

REMARQUE : Si des pièces sont manquantes ou endommagées, ne tentez pas de brancher le cordon d'alimentation et de mettre l'interrupteur à ON jusqu'à ce que la pièce endommagée ou manquante soit obtenus et sont correctement installés.

5. FIXER LA MACHINE SUR UNE SURFACE D'APPUI.

Les vibrations peuvent faire glisser, se déplacer ou basculer la perceuse. Pour éviter toutes blessures causé par un mouvement inattendu, assurez-vous que la perceuse est sur une surface de niveau, correctement sécurisée pour empêcher de basculer. Assurez-vous aussi qu'il y est de l'espace suffisant pour les opérations.

6. STABILITÉ DE LA PERCEUSE À COLONNE

La perceuse à colonne peut avoir tendance à basculer ou se déplacer durant l'utilisation. Dans ce cas visser au sol ou sur un morceau de contreplaqué de 3/4" suffisamment grande pour la stabiliser.

7. BIEN VERROUILLER

la tête et le support de table à la colonne, et la table au support de table avant d'utiliser la perceuse à colonne. Ne jamais déplacer soit la tête ou la table alors que l'outil est en marche.

8. AVANT DE COMMENCER UNE OPÉRATION,

vérifier l'alignement du le mandrin. Allumer, puis immédiatement éteindre l'interrupteur du moteur pour vous assurer que la mèche ou un autre outil de coupe ne vibre ou n'oscille pas.

9. NE METTEZ JAMAIS LA MACHINE EN MARCHÉ

avant de nettoyer la table ou la zone de travail de tous les objets (outils, morceaux de bois, etc.). Les débris qui s'envolent sont dangereux.

10. UTILISEZ UN SOUTIEN SUPPLÉMENTAIRE

(tables, chevalets, blocs, etc.) pour une pièce suffisamment grande pour basculer lorsqu'elle est sur la table de travail.

11. NE PAS QUITTER LA ZONE DE TRAVAIL AVANT QUE TOUTES LES PIÈCES MOBILES

Soient arrêtées. Coupez l'alimentation du commutateur maître. Rendez l'atelier à l'épreuve des enfants!

12. AVANT DE COMMENCER,

être certain que le moteur, la table, des pièces jointes et les boutons de réglage sont sécurisés.

13. VÉRIFIEZ SI IL Y A DES PIÈCES ENDOMMAGÉES.

Avant d'utiliser cet outil, toutes pièces qui sont endommagées devraient être soigneusement vérifiées pour qu'elle fonctionne bien et effectue sa fonction prévue. Vérifiez l'alignement des pièces mobiles, la liaison de pièces mobiles, la rupture des supports et autres conditions pouvant affecter le fonctionnement. Inspecter les vis et serrer toutes celles qui sont relâchées. Toute pièce endommagée doit être correctement réparée ou remplacée par un centre de service autorisé à moins d'indication contraire ailleurs dans le manuel d'instruction. Tout interrupteurs défectueux devrait être remplacé par un centre de service agréé. Ne pas utiliser l'outil si l'interrupteur ne fonctionne pas correctement.

14. OBTENIR DES CONSEILS

de votre superviseur, instructeur ou d'une autre personne qualifiée si vous n'êtes pas complètement familiarisé avec le fonctionnement de cette machine. Connaissance est synonyme de sécurité.

15. NE METTEZ JAMAIS LA MACHINE EN MARCHÉ

Avec une pièce en contact avec la meche. La pièce pourrait s'envoler et causer des dommages ou des blessures.

16. PRÉVENIR QUE LA PIÈCE

soit en contact avec la meche avant de démarrer l'outil. La perte de contrôle de la pièce est dangereuse.

17. ÉTEINGNEZ LA MACHINE,

débranchez l'appareil de la source d'alimentation, en cas d'arrêt du travail et avant de quitter la machine. Nettoyez aussi la table et la zone de travail avant de quitter la perceuse.

18. NE QUITTEZ PAS LA ZONE DE TRAVAIL AVANT QUE TOUTES PIÈCES MOBILES SOIENT ARRÊTÉES.

Coupez l'alimentation du commutateur maître. Rendez l'atelier à l'épreuve des enfants.

19. POUR LIBÉRER LES PIÈCES COINCÉES,

éteindre l'interrupteur. Débranchez l'outil. Attendez que toutes les pièces en mouvement soient arrêtées avant de retirer le matériau coincé.

20. NE JAMAIS TRAVAILLER MAIN LIBRE

Tenir la pièce plutôt que de la soutenir sur la table, sauf lors du polissage.

21. PRÉVENIR QUE LA PIÈCE VOUS GLISSE DES MAINS ET QU'ELLE TOURNE SUR LA TABLE

peut abîmer l'outil ou être projeté. Toujours utiliser un support de cette façon la pièce ne se déplacera pas et ne coïncera pas.

22. TOUJOURS POSITIONNER ET AVOIR UN MATÉRIAU DE SOUTIEN

placé sous la pièce travaillée. Pour éviter les blessures positionner la pièce du côté gauche quand faire ce peut. Positionner la pièce pour qu'elle soit en contact avec la colonne du côté gauche pour la barrer. Si la pièce est trop petite utilisez une serre.

23. UTILISEZ UNE PINCE À BLOCAGE OU UNE SERRE ET PLACEZ LA PIÈCE EN CONTACT SUR LA COLONNE

pour empêcher la rotation.

24. CONTENIR FERMEMENT LA PIÈCE AVEC UNE SERRE

Ou un étau sur table de travail lors du perçage. Maintenez fermement la pièce. La perte de contrôle de la pièce peut entraîner des blessures.

25. QUAND VOUS UTILISEZ UN ÉTAU DE PERCEUSE

toujours la sécuriser à la table de travail.

26. SOUTENIR ADÉQUATEMENT LES PIÈCES

longues ou large. Si une pièce dépasse de la table et qu'elle puisse tomber ou basculer si non retenu, utiliser une serre et fixer à la table ou de fournir un soutien (s) auxiliaire. La perte de contrôle de la pièce à usiner est dangereux.

27. LES PIÈCES RONDES DOIVENT ÊTRE PROPREMENT SUPPORTÉ

Utiliser des blocs en V pour l'empêcher de rouler.

28. UTILISATION DES VITESSES RECOMMANDER

pour une opération spécifique ou pour une pièce de matériel spécifique
- vérifiez l'étiquette à l'intérieur du couvercle de poulie pour les informations de forage.

29. GARDER LE COUVERCLE DES POULIES FERMÉ

après les ajustements de courroie terminés

30. POUR ÉVITER LES BLESSURES AU TRAVAIL PROVENANT DES OBJETS PROJETÉS OU DE CONTACT,

ne pas effectuer la mise en place, d'assemblage ou le travail d'installation sur la table alors que le mandrin tourne.

31. EMPLOYEZ UNIQUEMENT DES ACCESSOIRES CONÇU POUR CETTE PERCEUSE

pour éviter des blessures, des objets projetés, des pièces cassées ou des pièces de travail.

32. AVANT DE PERÇER DE GROS DIAMÈTRE UTILISER DES SERRES

pour contenir la pièce à perforez fermement à la table. Sinon, le foret de scie cylindrique peut saisir et faire tourner la pièce à grande vitesse. Utilisez un outils de perçage une pièce. NE PAS utiliser une scie cylindrique en plusieurs morceaux car il peut se défaire et devenir déséquilibré.

33. LES ACCESSOIRES DOIVENT ÊTRE CONFORME AU RÉGLAGE DE LA VITESSE DE LA PERCEUSE.

Cette perceuse à colonne dispose de 5 vitesses de rotation. Vérifier le réglage de vitesse de l'axe de la perceuse à colonne, selon la fiche des vitesses de poulie situé à l'intérieur du couvercle des poulies. Assurez vous que les accessoires utilisés ont un indice de vitesse supérieur au réglage de vitesse de la perceuse à colonne. Accessoires non conforme peuvent se détacher et causer des blessures.

34. NE PAS INSTALLER OU UTILISER DES MÈCHES

dépassant 7 po (18 cm) de longueur ou dépassant de 6 po (15 cm) en dessous des mâchoires du mandrin. Ils peuvent plier brusquement ou se briser.

35. NE PAS UTILISER

des mèches à fil métallique, couteaux à façonner, des forets de toupie Scie cylindriques à plusieurs morceaux des planeurs rotatifs sur cette perceuse à colonne.

36. ÉVITER DES OPÉRATIONS

maladroites et positions dangereuses des mains. Un glissement soudain pourrait causer une déviation de la main vers la mèche.

37. NE JAMAIS DESSINER UN PLAN, UN ASSEMBLAGE OU UNE DISPOSITION SUR LA TABLE DE TRAVAIL

lorsque la machine est en marche. Un glissement soudain pourrait causer une déviation de la main vers la mèche ou le mandrin. Des blessures graves peuvent en résulter.

38. NE VOUS LAISSEZ PAS DISTRAIRE.

Soyez toujours concentrer sur ce que vous faites. Utilisez votre bon sens. Ne jamais faire fonctionner le moteur lorsque vous êtes fatigué, malade, ou sous l'influence de l'alcool, ou de drogues.

39. VERROUILLEZ L'INTÉRIEUR EN POSITION «ARRÊT» «OFF»

pour empêcher les utilisation non autorisée. Quelqu'un d'autre pourrait accidentellement démarrer la machine et se causer des blessures.

40. CONSERVEZ LES INSTRUCTIONS.

consulter les fréquemment et utiliser les pour instruire les autres utilisateurs. Si vous prêtez l'appareil, prêtez leur également les instructions.

41. NON-RESPECT DES INSTRUCTIONS, DES PRÉCAUTIONS DE SÉCURITÉ DANS LE MANUEL D'INSTRUCTION

peut entraîner BLESSURES GRAVES. Lisez le manuel avant de commencer l'opération de l'unité

CONSEIL DE SANTÉ : Certaines poussières créées par l'utilisation d'outils électriques tels que sableuse, scie, moule et autre activité de construction peuvent contenir des produits chimiques pouvant causer le cancer ou des malformations à la naissance ainsi que des torts au système reproducteur. Certains exemples de ces produits chimiques sont :

- la plume des peintures à base de plomb,
 - la silice cristallisée provenant des briques et du ciment ainsi que d'autres produits de maçonnerie et
 - l'arsenic et le chrome du bois de construction traité chimiquement.
- Vos risques d'exposition varient selon la fréquence à laquelle vous effectuez ce type de travail. Pour réduire votre exposition à ces produits chimiques, travaillez dans un endroit bien ventilé et travaillez avec des équipements de sécurité approuvés, tels que les masques antipoussières spécialement conçus pour filtrer les particules microscopiques.



AVERTISSEMENTS ÉLECTRIQUES

1. AVANT DE BRANCHER LA MACHINE

à une source électrique, assurez-vous que le voltage correspond à celui qui est indiqué sur la plaque d'identification de la machine. Une source électrique, ayant un voltage plus élevé que celui qui est spécifié pour la machine, peut causer de sérieuses blessures à l'opérateur ainsi qu'endommager la machine. Si vous avez des doutes, ne branchez pas la machine, et contactez un électricien qualifié.

2. ASSUREZ-VOUS QUE VOS DOIGTS

ne touchent pas les bornes du cordon d'alimentation au moment de brancher ou débrancher la scie.

3. DES OUTILS MIS À LA TERRE DOIVENT ÊTRE BRANCHÉS DANS UNE PRISE TRIPOLAIRE DUMENT INSTALLÉE. LA MISE À TERRE CRÉE UN CHEMIN DE BASSE RÉSTANCE QUI CONDUIT L'ÉLECTRICITÉ AU SOL PRÉVOYANT LES CHOC SI L'APPAREIL A UN DÉFECTUOSITÉ ÉLECTRIQUE.

4. N'ABUSEZ PAS LE CORDON D'ALIMENTATION.

Ne pas transporter ou tirer le cordon d'alimentation pour le débrancher. Protégez le cordon des sources potentielles de dommages: la chaleur, de l'huile et des solvants, des endroits coupants ou des pièces mobiles. Remplacez immédiatement un cordon endommagé.

5. EN EXTÉRIEUR, UTILISER UNE RALLONGE D'EXTÉRIEUR.

Une rallonge classé pour une utilisation à l'extérieur doit être marquée «WA» ou «W».

6. CET OUTIL EST POUR UN USAGE INTÉRIEUR.

Ne pas exposer les outils électriques à l'humidité. Pluie ou conditions humide peuvent causer l'entrée d'eau à l'intérieur de l'outil et crée un choc électrique.

INSTRUCTIONS DE MISE À LA TERRE

En cas de court-circuit ou de défaillance électrique, la mise à la terre diminue le risque de choc électrique. Le moteur de cette machine a été conçu pour un courant de 120 volts, monophasé, et muni d'un cordon à trois conducteurs et d'une fiche de mise à la terre à trois broches s'insérant dans une prise à la terre, A. Ne retirez pas la troisième branche de mise à la terre de la fiche pour l'insérer dans une fiche murale à deux trous. Si vous utilisez un adaptateur B, il devra être relié à la vis métallique du couvercle de la boîte électrique.

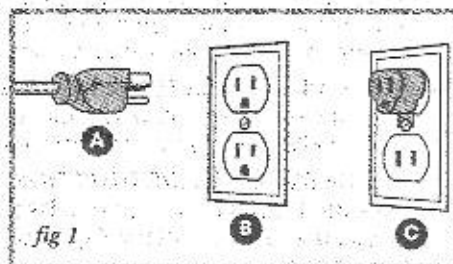


fig 1

REMARQUE : L'utilisation d'un adaptateur est illégal dans certaines régions, y compris Canada. Vérifiez vos codes locaux. Si vous avez des doutes ou si la fiche fournie ne correspond pas à votre prise de courant, consultez un électricien qualifié avant de continuer.

RALLONGES ÉLECTRIQUES

N'utilisez que des rallonges à trois fils munies de fiches de type mise à la terre triphasées et de prises à trois trous. Remplacez une rallonge endommagée immédiatement.

Si vous devez utiliser une rallonge, assurez-vous que le calibre du cordon

est adapté à l'intensité du courant électrique indiqué sur la plaque du moteur de la machine. Une rallonge de calibre insuffisant causera une chute de tension, entraînant une perte de puissance et une surchauffe. Le tableau ci-dessous indique le calibre approprié à utiliser en fonction de la longueur de la rallonge et de l'intensité nominale inscrite sur la plaque signalétique. Plus le numéro du calibre est petit plus le fil est gros.

Longueur totale de la rallonge

Calibre en ampères	Pieds		Mètres		Pieds		Mètres	
	25	30	8	10	100	125	125	150
3-10 A	ca. 18		ca. 16		ca. 14		ca. 14	
10,1 - 12 A	ca. 18		ca. 16		ca. 14		ca. 14	
12,1 - 16 A	ca. 14		ca. 12		Non recommandé			

Utilisez seulement des rallonges homologuées UL ou CSA.

ATTENTION! Ne laissez pas votre expérience avec votre sableuse vous laisser tomber dans la négligence. Rappelez-vous qu'une fraction de seconde d'inattention est suffisante pour causer de graves blessures.



IMPORTANT: Les mises en garde, les avertissements et les instructions détaillées dans ce manuel ne peut pas couvrir toutes les situations qui se produisent. Il doit être compris par l'opérateur que le bon sens et la prudence sont facteurs qui ne peuvent pas être intégrés dans ce produit, mais doivent être fournis par l'opérateur.

SÉCURITÉ LASER

Cet outil est équipé laser de précision avec guide de centrage au design cruciforme breveté.

1. NE REGARDER PAS DIRECTEMENT LE RAYON LASER.

DANGER! *Dompage oculaire peut se produire si vous regardez délibérément le faisceau.*



2. LE FAISCEAU DE LUMIÈRE LASER

utilisé dans ce système est de classe II avec un maximum de 1 mW et 650 nm de longueurs d'onde. ÉVITER L'EXPOSITION DIRECT DES YEUX.

3. LE FAISCEAU LASER DOIT ÊTRE UTILISÉ

et entretenu conformément LES INSTRUCTIONS DU FABRICANT:

- Ne jamais diriger le faisceau à une personne ou un objet autre que la pièce de travail.
- Ne pas projeter le faisceau laser dans les yeux des autres.
- Assurez-vous toujours le faisceau laser est dirigé vers une pièce sans surfaces réfléchissantes comme le faisceau laser pourraient se refléter dans vos yeux ou aux yeux des autres.



DÉBALLAGE

ATTENTION! Ne tentez pas d'assembler l'outil, de brancher le cordon d'alimentation ou appuyer sur l'interrupteur si des pièces sont endommagées ou manquantes. Le non respect de cet avertissement peut entraîner des blessures graves.

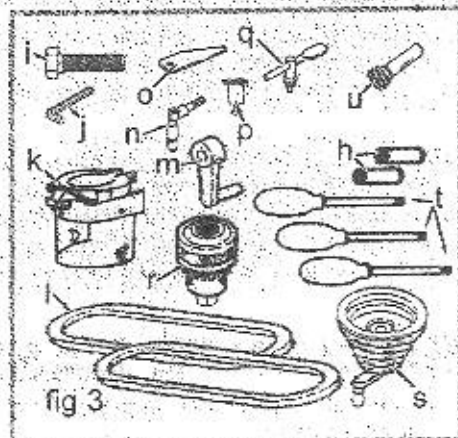
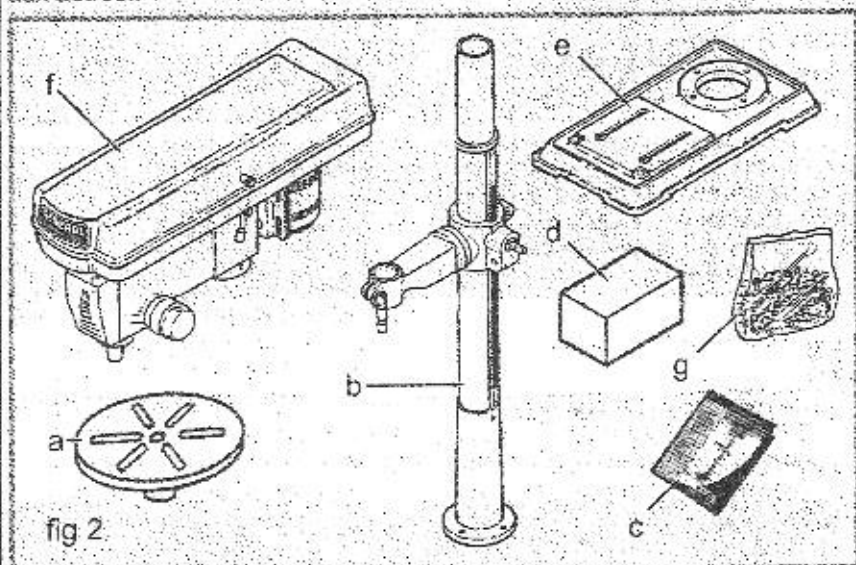


CONTENU

Séparez toutes les pièces des matériaux d'emballage et comparez soigneusement avec fig 2 et 3 de la liste ci-dessous.

REMARQUE : Assurez-vous que toutes les pièces sont déballées avant de jeter le matériel d'emballage.

Certains articles ci-dessous peuvent être emballés déjà assemblés les uns aux autres.



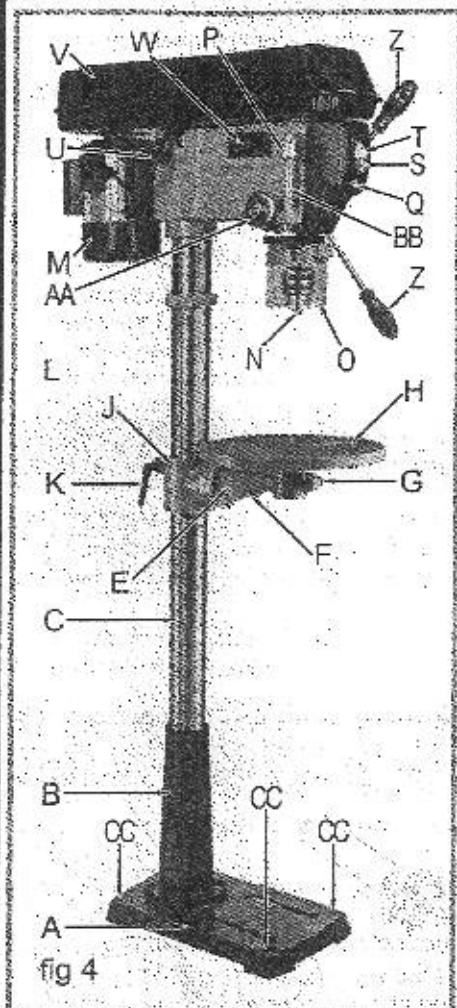
a	Ens. de table
b	Ens. de colonne
c	Manuel
d	Boîte de quincaillerie
e	Base
f	Ens. de tête
g	Sac de quincaillerie
h	Batteries AA (2)
i	4 x boulons fix.

j	Ens. de clés Allen (3 mm, 4 mm, 5 mm)
k	Garde du mandrin
l	Courroie en V (2)
m	Manivelle
n	Poignées de blocage pour support de la table
o	Clavette chasse cône
p	Bouton de couvercle incluant vis
q	Clé du mandrin
r	Mandrin
s	Poutre jole
t	Poignées (3)
u	Arbre de vis sans fin

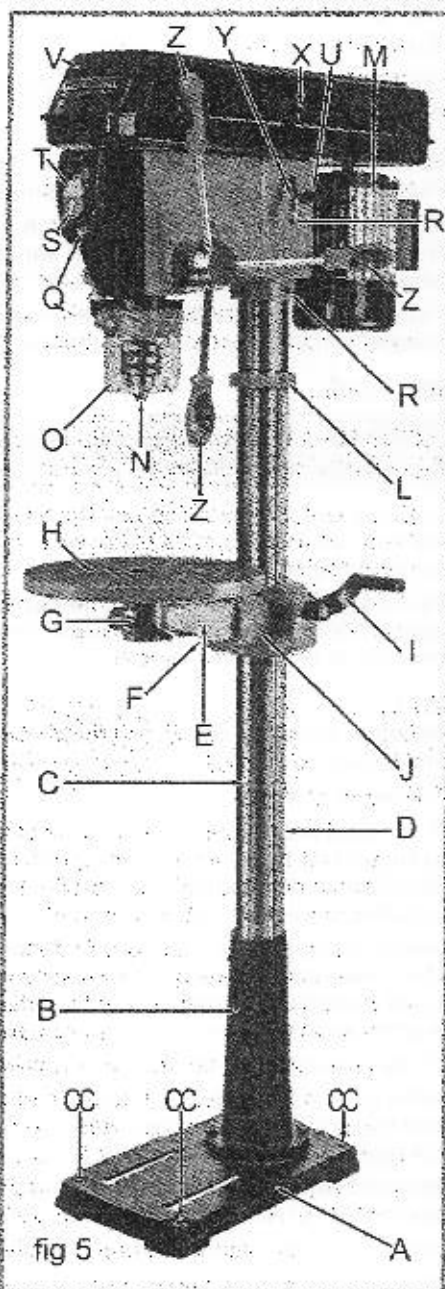
DESCRIPTION FONCTIONNELLE

APPRENEZ À CONNAÎTRE VOTRE
PERCEUSE À COLONNE DE 15 PO

ATTENTION! Pour éviter les blessures de démarrage accidentel, éteindre l'interrupteur et retirer la fiche de la prise de la source d'alimentation avant de procéder à des ajustements.



A	Base
B	Support de la colonne
C	Colonne
D	Étrier de base de la tête
E	Bras de support de la table
F	Barrure d'angle de la table
G	Barrure de la table
H	Table
I	Manivelle de la table
J	Support de la table
K	Verrou du support
L	Collier de l'étrier
M	Moteur
N	Mandrin
O	Garde du mandrin
P	Guide de profondeur
Q	Interrupteur de la lampe
R	Barrure - vis à tête creuse
S	Interrupteur
T	Clé de sécurité
U	Bouton de tension des courroies
V	Couvercle de poulies
W	Interrupteur du laser
X	Bouton du couvercle
Y	Poignée du tensionneur
Z	Poignées d'alimentation
AA	Ressort de retour des poignées
BB	Jauge de profondeur
CC	Trou de montage



PROCÉDURE D'ASSEMBLAGE

ATTENTION! Pour votre propre sécurité, ne jamais débrancher la prise à la source ou insérer la clé de l'isolateur jusqu'à ce que toutes les étapes de montage sont complètes et que vous avez lu et compris le manuel du propriétaire.



OUTILS REQUIS

- Clé ajustable
- Équerre
- Tournevis moyen
- Marteau et une pièce de bois

BASÉ ET LA COLONNE

1. Placez la base (A, fig 4 et 5) sur le sol.
2. Placer la colonne (C, fig 4 et 5) sur le support de la base (B, figure 4 et 5) en bas, passer (L, fig 4 et 5) par la partie supérieure (D, fig 4) passant entre eux. Aligner la colonne avec les trous de la base.
3. Installez les quatre boulons à tête hexagonale de 10 x 40 mm pour chaque trou et serrer dans la base avec la clé.

MONTAGE

ATTENTION! Les perceuses à colonne sont de par leur conception, très lourde du haut, elles doivent être solidement fixées en place.



- Décidez où la perceuse sera installer et fixer votre perceuse à travers les trous de fixation de la base au sol avec de robuste boulons, rondelles et écrous.
- Si vous êtes sur le béton vous devrez utiliser des ancrages appropriés. Ceci l'empêchera de basculer, glisser, ou de se déplacer pendant le fonctionnement.

TABLE

1. Retirez le collier de support du haut de la colonne en desserrant la vis à tête creuse.
2. Enlevez le collier.
3. Si non déjà installé, insérez la vis sans fin (u, fig 6) au centre du trou du support de la table (J, fig 6) et à travers le trou de la poignée de manivelle comme indiqué à droite. L'arbre de vis sans fin doit dépasser du boîtier d'environ 1 po (25 mm).
4. Insérez le support (D, figure 5) dans la rainure verticale du support de table. Assurez-vous que la vis sans fin entraînée par l'arbre à vis sans fin est justement installé sur la partie à l'intérieur du support de table est en prise avec les dents de la crémaillère.
5. Placez le support de table à peu près le centre de la grille.
6. Faites glisser ce support de table et descendre l'ensemble vers le bas ainsi que sur la colonne. Insérez le bord inférieur de la grille de sorte qu'il repose à l'intérieur de la lèvre du support de la colonne.
7. Maintenir dans cette position pendant que vous passez le collier biseau vers le bas sur le bord supérieur de l'étrier.
8. Serrez la vis avec à tête creuse (Allen), tenant l'étrier dans la position.

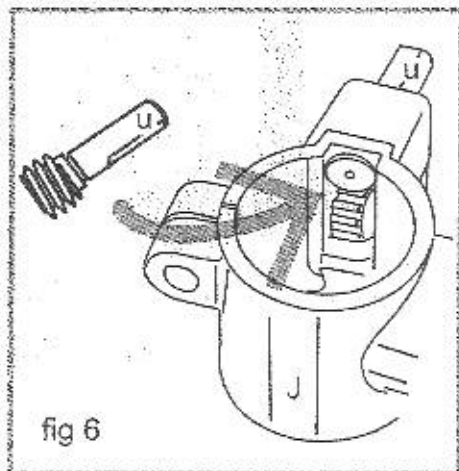


fig 6

REMARQUE : Assurez-vous qu'il ya assez d'espace pour permettre la table pour faire tourner autour de la colonne. le collier de support assis sans être serré sur étrier et placé à l'équerre sur la colonne. Serrer la vis juste assez pour garder collier en place et éviter des dommages à la colonne ou au collier.

9. Faites glisser la manivelle du support de table (I, fig 4 et 5) sur l'arbre de vis sans fin saillant à partir du côté du support de table. Fixez-le avec l'ensemble avec la vis à tête creuse en veillant à ce que la vis de réglage soit aligné avec le plat de l'arbre et au plus près du support de table que possible. Serrer la vis de réglage.

10. Placer la table (H, fig 4 et 5) sur l'autre extrémité du bras de support de la table (E, fig 4 et 5).
11. Serrer la barrure de table (G, fig 4 et 5).
12. Orientez le bras de support de table dans le même sens que la base, et serrer la barrure de support de la table (K, fig 4 et 5).

ASSEMBLAGE DE LA TÊTE

MISE EN GARDE : L'ensemble de tête est lourd (environ 65 lb / 25 kg) et vous aurez besoin d'aide d'une deuxième personne.



1. Soulevez soigneusement l'ensemble de la tête de la perceuse (f, fig 2) et faites glisser le trou de forage de la tête sur la partie supérieure de la colonne. Assurez-vous la tête est bien en place sur la colonne.

ATTENTION! Assurez-vous que la base est solidement fixée au sol.



2. Aligner la tête de la perceuse afin qu'elle corresponde à la direction de la base et la table.
3. À l'aide d'une clé hexagonale de 5 mm (Allen), fixer l'ensemble de la tête en place en serrant les deux vis de verrouillage (R, figure 4) sur le côté droit de la base de la tête.
4. Vissez les trois poignées d'alimentation (Z, fig 4 et 5) dans les trous filetés sur le moyeu. Au lieu d'utiliser les poignées comme effet de levier et peut-être les abîmer utilisez une clé sur les plats sur les extrémités filetées des poignées à installer, mais prenez soin de les fixer uniquement à force de main.
5. Installez une vis à tête cylindrique M5 x 12 à l'intérieur de la couverture polie à travers le trou et fixer le bouton (p, figure 3) vers l'extérieur.

REMARQUE : Un ou deux des poignées d'alimentation peuvent être enlevées temporairement. Si le travail comporte une pièce en forme exceptionnelle qui interfère avec la rotation de la poignée.

POULIE ET GOURROIE

1. Ouvrez le couvercle de la poulie.

ATTENTION! Assurez-vous que la perceuse est éteinte et débranchée lorsque le couvercle de courroie et de poulie est ouvert et vous avez vos mains dans cette zone.



2. Desserrez le bouton de tension la courroie du côté gauche et droit (U, fig 4 et 5).
3. Tournez la poignée de tension de courroie (Y, figure 5) dans le sens horaire. Cela penchera la poulie moteur plus près de la poulie folle, ce qui permettra aux courroies d'entraînement d'être enfilées.
4. La poulie (S, fig 3) folle sera probablement fournis non installée. Graisser l'axe de pivotement et la poulie de tension avec de la graisse légère.
5. Installez-le dans son montage entre le moteur et la poulie de l'axe.
6. Mettre en place les deux courroies sur les poulies. La plus longue des deux courroies doit être installé entre la poulie folle et la poulie de l'axe avant.
7. Consultez le tableau à l'intérieur du carter de poulie (ou le tableau des vitesses de forage dans la section Réglages), pour monter les courroies (L, fig 3) dans leurs positions correspondante à l'axe et au vitesse de forage nécessaire.
8. Tournez la poignée de tension de la courroie dans le sens antihoraire afin que la tension soit exercée sur les courroies. La tension est correcte lorsque les courroies ont un jeu d'environ 1/2 po (13 mm) au centre lors d'un pincement.

MISE EN GARDE : Ne pas trop tendre les courroies ceci pourrait endommager le moteur et les roulements à billes.



9. Verrouillez la position du moteur lorsque la tension est correcte avec le boutons de verrouillage de tension des deux côtés.

REMARQUE : La poule folie «follies» de sorte que la tension est appliquée également aux deux courroies.

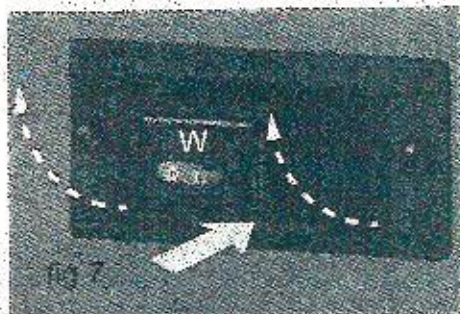
10. Fermez le couvercle de courtoie.
11. Si les courroies glissent pendant le forage, ils nécessitent un ajustement de la tension de la courtoie.

MANDRIN

1. Nettoyer le trou conique dans le mandrin (r. figure 3), enlever toute trace de graisse, ou le revêtement antibrouille ou de saleté que vous trouvez.
2. Nettoyez la graisse, le revêtement et la saleté de la pointe de la axe conique MT2 avec un chiffon propre.
3. Tournez le manchon du mandrin dans le sens horaire, l'ouverture des pinces de mâchoires de serrage sera au maximum dans la mesure où ils l'ont à l'intérieur du mandrin.
4. Appuyez le mandrin sur l'axe dans la mesure du possible. Ensuite:
 - Appuyez légèrement sur l'extrémité inférieure du mandrin avec un morceau de bois pour assurer que le mandrin est bien fixé sur l'axe. Il est correct d'utiliser un marteau, mais ne pas utiliser un marteau de métal directement sur le mandrin. Placez un morceau de bois entre la face de marteau et le mandrin.
 - Placez un morceau de bois de rebut sur la table. Soulever la table jusqu'à ce que le bois est d'environ 2 po (50 mm) au-dessous du mandrin. Verrouiller la table en place. Tournez les poignées d'alimentation en sens antihoraire, ce qui oblige le mandrin vers le bas contre le bois. Cela sécurisera le mandrin sur l'axe.
5. Pour retirer le mandrin, voir la section Entretien.

BATTERIES POUR LE LASER

1. Repérez l'interrupteur du laser (W, fig 5 et 7) sur le côté gauche de la tête.
2. Appuyez sur l'onglet situé en dessous de l'interrupteur de laser (fig 7) et soulever le couvercle.
3. Insérez 2 piles "AA", orienté dans le sens indiqué.
4. Fermez le couvercle de l'interrupteur.



MISE EN GARDE : Enlevez ces piles du compartiment lorsque le outil doit être stocké pour plus de quelques jours. Si elle reste insérée les piles peuvent fuir et endommager l'appareil laser. Les dommages causés par les fuites des batteries ne sont pas couverts par la garantie.



AJUSTEMENTS

ATTENTION! Pour réduire le risque de blessure, gardez le couvercle de poule en place et en bon état de fonctionnement lors de l'utilisation.



VITESSE ET RÉGLAGE DES COURROIES

SÉLECTIONNEZ LA VITESSE

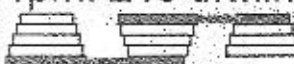
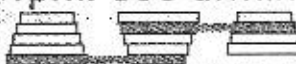


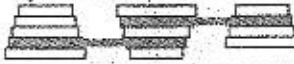
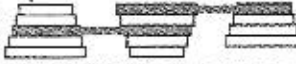



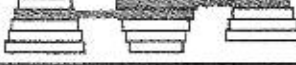



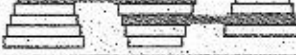

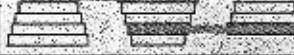
Le matériel que vous percez et la taille du trou que vous prévoyez faire devrait déterminer la vitesse à laquelle vous définissez la perceuse à colonne. En règle générale, les petits forets exigent plus de vitesse que les grandes forets et matériaux souples exigent plus de vitesse que les matériaux plus durs.

VITESSES DE PERÇAGE RECOMMANDÉES APPROXIMATIVES*

Plage de vitesse	Bois		Les métaux non ferreux Aluminium / zinc / laiton		Fer et acier	
	Diamètre des mèches:					
2000 à 3100 tr/min	3/8 po	9,5 mm	7/32 po	5,6 mm	3/32 po	2,4 mm
1400 à 2000 tr/min	5/8 po	16 mm	11/32 po	8,75 mm	5/32 po	4 mm
1000 à 1400 tr/min	7/8 po	22 mm	15/32 po	12 mm	1/4 po	6,4 mm
800 à 1000 tr/min	1-1/4 po	31,75 mm	11/16 po	17,5 mm	3/8 po	9,5 mm
530 à 800 tr/min	1-5/8 po	41,4 mm	3/4 po	19 mm	5/8 po	16 mm

* Ces vitesses ne sont que des guides généraux et varient en outre selon le matériau particulier que vous travaillez avec (le type de bois, par exemple), le type de foret ou un couteau que vous utilisez, de lubrifiants vous pouvez utiliser et la qualité de la coupe désirée.

1. Sélectionnez la vitesse de déplacement de la courroie aux poulies appropriées. Ouvrez le couvercle de poulie (V, fig 4 et 5)
2. Consultez le diagramme position de la courroie / vitesse.

rpm: 240 tr/min 	rpm: 300 tr/min 	rpm: 412 tr/min 	rpm: 470 tr/min 
rpm: 530 tr/min 	rpm: 600 tr/min 	rpm: 720 tr/min 	rpm: 770 tr/min 
rpm: 820 tr/min 	rpm: 870 tr/min 	rpm: 1300 tr/min 	rpm: 1720 tr/min 
rpm: 1850 tr/min 	rpm: 2050 tr/min 	rpm: 2700 tr/min 	rpm: 3200 tr/min 

3. Desserrez les boutons de verrouillage de tension de la courroie; de chaque côté de la tête de la perceuse.
4. Tournez la poignée de tension de courroie (Y, figure 5) dans le sens horaire. Cela tirera le moteur vers l'avant, près de la tête de la perceuse; amener la poulie du moteur plus près de la poulie de l'axe, permettant les courroies d'entraînement déplacées.
5. Choisissez la meilleure vitesse pour l'opération de forage planifié et installer la courroies dans la position correcte sur les poulies pour produire cette vitesse.

ATTENTION! Assurez-vous que la perceuse est éteinte et débranchée lorsque le couvercle de courroie et de poulie est ouvert et vous avez vos mains dans cette zone.



6. Placez les courroies sur les trois poulies selon l'axe nécessaire de vitesse.
7. Re faire la tension des courroies quand elles sont mises en place en appuyant sur le moteur et en éloignant du bout de l'axe (avant) de la tête de la perceuse et resserrant les boutons de verrouillage de tension de la courroie. Tournez le levier de tension de la courroie dans le sens antihoraire.
8. La courroie doit être suffisamment serrée pour empêcher le glissement. Tension de la courroie est réglée correctement si la courroie dévie environ 1/2" (13 mm) lorsque la pression du pouce lui est appliquée à mi-chemin entre chaque jeu de poulies.

MISE EN GARDE : Ne pas trop tendre les courroies ceci pourrait endommager le moteur et les roulements à billes.



9. Fermez le couvercle de courroie.

AJUSTEMENTS DE LA TABLE

HAUTEUR DE LA TABLE

1. Soulever ou abaisser la table en desserrant la poignée de verrouillage de support de table (K, fig 4) et en tournant la manivelle (I, fig 5) jusqu'à ce que la table soit à la hauteur souhaitée.
2. Assurez-vous de resserrer la poignée de verrouillage de support de table avant de percer.

ROTATION DE LA TABLE

Faites tourner la table autour de la colonne en desserrant la barrure du support de table :

1. Déplacer la table autour de la colonne de emplacement souhaité.
2. Le support de réglage en hauteur de la table doit également glisser autour de la colonne.
3. Aligner le foret avec le trou au centre de la poutre qu'au moment du forage vous n'abîmez pas la table.
4. Assurez-vous de resserrer la poignée de verrouillage du support de table avant de percer.

La table peut également tourner sur son propre axe.

5. Desserrez la poignée barrure de la table (G, fig 4 & 5).
6. Tournez la table à la position souhaitée.
7. Reserrez la poignée barrure de la table.

INCLINAISON DE LA TABLE

Le tableau dispose d'une gamme d'inclinaison disponible entre 0 et 45° à gauche et à droite.

1. Localisez le verrou de biseau sous la table.
2. Pour incliner la table, desserrer la vis M16 x 35 de blocage (F, fig 4 et 5) sous la table avec une clé.
3. Inclinez la table à l'angle désiré (vous pouvez utiliser l'échelle de gradation sur le support comme d'un guide brute).
4. Resserrer la table.

REMARQUE : Il serait une bonne idée de toujours vérifier si l'angle est correct avec un équerre combinée.

La table doit être à l'équerre pour des opérations de forage normales.

1. Utilisez l'échelle de biseau sur le support d'une jauge et mettre la table à 0° C.
2. Insérez une mèche de 3 po (7,6 cm) dans le mandrin et serrer. Assurez-vous qu'il est pris correctement dans les mâchoires.
3. Relever et verrouiller la table à environ 1 po (2,5 cm) au-dessous de la pointe du foret.
4. Utilisez une équerre combinaison posé sur la table pour vérifier. Le côté de la mèche devrait être à l'équerre.
5. Faire tout ajustement nécessaire en desserrant le boulon de verrouillage de biseau avec une clé et inclinaison de la table.
6. Serrer la vis de blocage du biseau.

LA JAUGE DE PROFONDEUR ET ARRET

- La jauge de profondeur permet à l'opérateur de voir la profondeur de l'axe et de la mèche pendant le fonctionnement de l'outil.
- Pour arrêter le déplacement vers le bas de la perceuse à une profondeur spécifique en particulier pour le forage de répétition, mettre en place la butée de profondeur.

Avec la perceuse éteinte:

1. Placez le bord inférieur de l'écrou du bas (# 1), à égalité avec la profondeur désirée sur l'échelle.
2. Vérifier la profondeur. Abaissez la mèche à l'aide des poignées d'alimentation jusqu'à ce qu'elle touche la butée. Comparez-le à la profondeur du trou désiré.
3. Si OK, serrer l'écrou #2 contre écrou #1 pour verrouiller la position.
4. La butée de profondeur est maintenant réglée et fournira des trous répétitifs à la même profondeur.
5. Écrou #3 peut également être mis en œuvre pour limiter la rétraction à la hausse de la mèche.
6. Après avoir utilisé la perceuse à la profondeur de jeu fourni par la butée de profondeur, se rappeler de renvoyer l'arrêt de la partie supérieure.

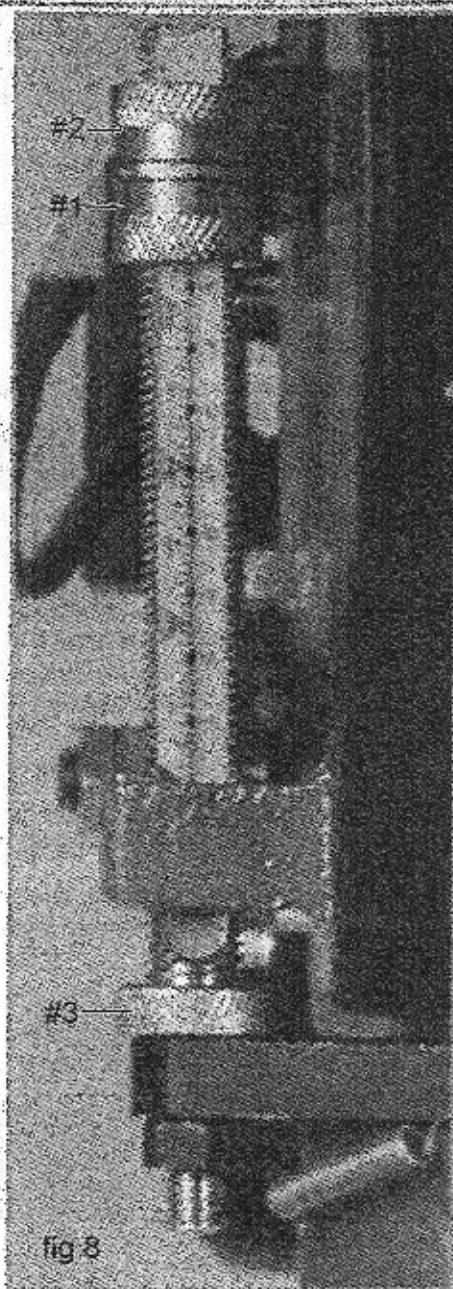


fig 8

INSTRUCTIONS D'OPÉRATION

ATTENTION! Avant d'utiliser cette machine, l'opérateur doit soigneusement lire sur ce mode d'emploi et se familiariser avec la construction, les contrôles et le système d'entraînement de la perceuse à colonne.



SELECTIONNEZ LA VITESSE

1. Le matériel que vous percez et la taille du trou que vous avez l'intention de devoir déterminer la vitesse à laquelle vous ajusterez la perceuse à colonne. En règle générale, les petits forets exigent plus de vitesse que les grandes forets et matériaux souples exigent plus de vitesse que les matériaux plus durs.
2. Sélectionnez la vitesse en déplacement la courroie aux poulies appropriées.

MÈCHE ET FORET

1. Insérez le foret dans le mandrin (N, fig 4 et 5) assez loin pour obtenir adhérence maximale des mâchoires du mandrin. Assurez-vous que la mèche est centrée dans le mandrin.
2. Insérez la clé de mandrin (q, figure 3) et la tourner dans le sens horaire pour serrer (et dans le sens antihoraire pour desserrer) le foret. Il est préférable de tourner la clé mandrin dans chacun des trois trous du mandrin.
3. Avant le serrage final avec la clé de mandrin, vérifier que la mèche soit centrée dans les mâchoires du mandrin.
4. Serrer le mandrin suffisamment pour empêcher le glissement de la mèche des mâchoires. Comme un test, allumer et éteindre rapidement la perceuse à dé si la mèche oscille.

LASER

1. Placez une pièce sur la table.
2. Mettez l'interrupteur du laser à 'on' (appuyez sur I).

DANGER! Ne pas regarder directement le faisceau laser. Dangereux pour les yeux si vous regardez délibérément dans le faisceau.

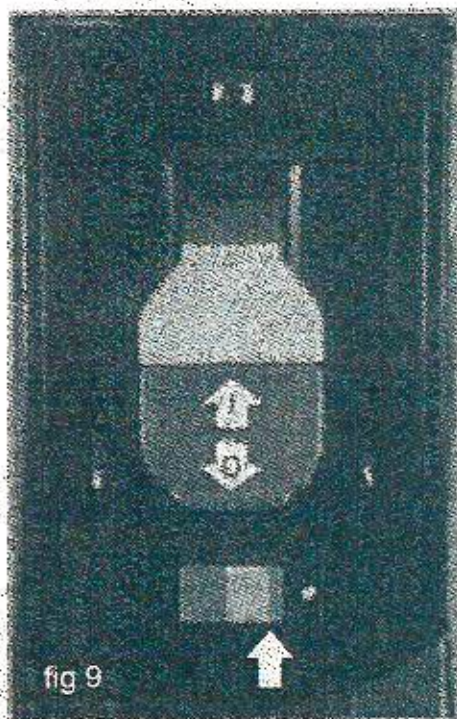


3. Abaisser la mèche (PAS EN FONCTION) pour toucher la pièce. Les deux lignes du laser doivent se croiser où la mèche rencontre la pièce.
4. Si le laser doit être réajusté:
 - À l'aide d'une clé hexagonale, tournez les vis hexagonales de réglage du laser dans le sens antihoraire.
 - Déplacer le boîtier du laser jusqu'à ce que les deux lignes se croisent où la mèche rencontre la pièce de travail. Ne regardez pas directement sur les lignes de laser.
 - Resserrer les vis de réglage à tête hexagonale

LAMPE DE TRAVAIL

Vous pouvez éclairer la table de travail et d'éliminer les ombres sur la pièce de travail.

Pour allumer la lumière de travail, mettre le commutateur d'éclairage en fonction, il est de situé au-dessous de interrupteur principal de perceuse (fig 9) Sélectionnez 1.



PERÇAGE

1. Par mesure de sécurité, l'interrupteur ne peut être activé sans la clé.
2. Pour mettre la perceuse à colonne (ON), en marche, mettre la clé de sécurité dans l'interrupteur, soulevez le commutateur vers le haut à la position ON (I) (fig 10).
3. Pour mettre la perceuse hors tension, appuyez sur l'interrupteur vers le bas la position O, (figure 10).
4. Pour verrouiller l'interrupteur en position Arrêt (OFF) (O), retirer la clé de sécurité X, (figure 11) sur de l'interrupteur. Rangez-la dans un endroit sûr.

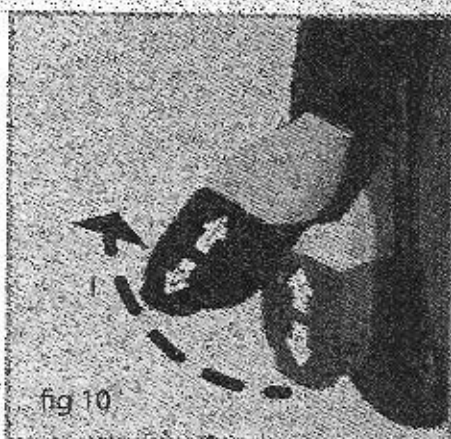


fig 10

5. Utilisez les poignées d'alimentation pour descendre la mèche lentement dans la pièce. Lors de perçage de bois ralentissez la pression quand vous arrivez à la fin et que vous allez transpercer la pièce de bois

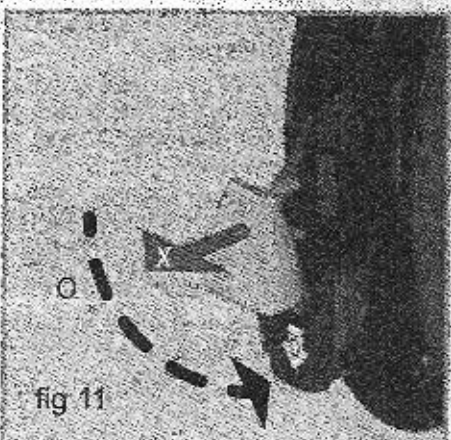


fig 11

6. Après avoir percé un trou, ne relâchez pas la poignée d'alimentation, mais le laissez doucement, permettant de soulever le ressort de l'axe doucement à sa position d'origine.
7. Éteignez la perceuse à colonne.
8. Coupez le laser.
9. Éteignez la lumière de travail.

ATTENTION! Après l'arrêt, ne jamais laisser la machine sans surveillance jusqu'à ce qu'il est venu à un arrêt complet.



ATTENTION! En cas de problème ou de bruit anormal survenant pendant le fonctionnement, arrêter le moteur, débranchez l'appareil de la source et trouver la cause. Ne pas reprendre tant que le problème n'est pas résolu.

**ENTRETIEN**

ATTENTION! Pour votre propre sécurité, éteindre l'interrupteur et retirez le cordon de la source d'alimentation avant de régler, d'entretenir ou lubrifier votre perceuse.



ATTENTION! Pour éviter les chocs ou le potentiel d'incendie, toute réparation électrique devrait être effectuées par un centre de réparation agréé.

**INFORMATION GÉNÉRAL**

Gardez votre outil en bon état en adoptant un programme d'entretien régulier.

1. Avant utilisation, vérifier l'état général de votre outil.
2. Vérifier les vis, l'alignement, les fixations des pièces mobiles, un mauvais montage, les pièces brisées, et toute autre condition qui peut affecter l'opération sécuritaire de la perceuse.

3. Si le cordon d'alimentation est usé, coupé ou endommagé, le faire remplacer immédiatement.
4. Si un bruit anormal ou des vibrations se produisent, arrêter l'outil immédiatement et trouver le problème avant de repartir la perceuse.
5. Ne pas utiliser un outil endommagé.
6. Ne jamais démonter l'outil ou essayer de refaire le re-câblage du système électrique.
7. Gardez les poignées de l'outil propre, sec et exempt d'huile ou de graisse.
8. Utilisez uniquement de savon doux et un chiffon humide pour nettoyer votre outil, certain nettoyants et les solvants sont nocifs pour les matières plastiques et autres isolants. Certains de ces solvants nocifs comprennent: l'essence, l'essence de térébenthine, diluant pour vernis, diluant à peinture, les solvants de nettoyage chlorés, l'ammoniaque, et les détergents ménagers contenant de l'ammoniac.
9. Après utilisation, souffler ou aspirer la poussière, les sciures et copeaux métalliques qui peuvent s'être accumulés sur le moteur, le couvercle de courroie, et sur la table.
10. Les roulements à billes sont scellés de graisse en usine. Ils ne nécessitent pas de lubrification supplémentaire. Les roulements à billes dans l'axe et les poulies à courroie trapézoïdale sont graissés et scellés de façon permanente.
11. Lubrifiez les parties mobiles tous les trois mois.
12. Appliquer occasionnellement d'une légère couche de cire en pâte à la colonne et table pour aider à garder ses surfaces propres et sans rouille.
13. Lubrifiez le support de table et boutons de verrouillage si elles deviennent difficiles à utiliser.
14. Coupez l'alimentation électrique en cas de non utilisation.

ENLEVER LE MANDRIN

1. Mettez à arrêt et débranchez le cordon de la source d'alimentation.
2. À l'aide des poignées d'alimentation, abaisser l'ensemble de bobine à la position la plus basse.
3. Insérez la clavette chasse-cône (o, fig 3), et tout au long de la bobine.

REMARQUE : Il peut être nécessaire de tourner le mandrin à la main afin d'être en mesure de passer la clavette à travers.

4. Tout en tenant le mandrin pour prévenir l'endommagement, tapez sur la fin de la clavette chasse-cône avec un marteau ou soulever l'ensemble de la bobine en utilisant les poignées d'alimentation.
5. L'arbre et le mandrin devraient tomber.

REMARQUE: Pour éviter possible dommage, être prêt à attraper le mandrin avant qu'il tombe.

JEU DE L'AXE

1. Placez l'axe à la position la plus basse et le maintenir en place avec un main sur une poignée d'alimentation.
2. Avec votre autre main, essayer de le faire tourner autour de son axe avec un mouvement de côté.
3. Si vous trouvez qu'il ya trop de jeu:
 - Desserrer l'écrou de blocage sur le côté inférieur gauche de la tête de la perceuse (k, fig 12) derrière la jauge de profondeur.
 - Tournez la vis (c, fig 12) dans le sens horaire pour éliminer le jeu, mais pas trop pour ne pas de limiter le mouvement vers le haut et vers le bas de la l'axe. Un peu de jeu est normal.
 - Serrez l'écrou de blocage.

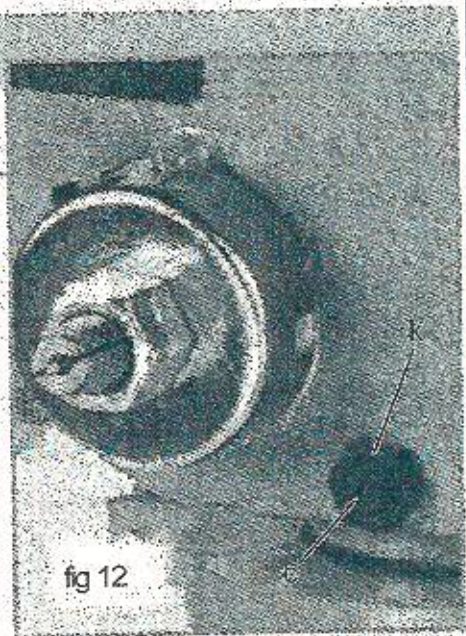


fig 12

RESSORT DE RETOUR DE LA BOBINE

La bobine est équipée d'un ressort de rappel qui ramène la mandrin et la meche vers le haut quand vous laissez la poignée d'alimentation. Il est essentiellement un ressort et ne devrait pas avoir besoin réajustement à moins que se soit absolument nécessaire. Si nécessaire, il peut être ajusté de la manière suivante:

1. Débranchez la perceuse à colonne.
2. Repérez le boîtier du ressort sur le côté gauche de la tête de la perceuse.
3. Utilisez des pinces à bec effilé ou un coup de tournevis dans la boucle (s. fig. 13) pour rétenir le ressort en place.
4. Desserrez les deux écrous (n. fig. 13) d'environ 1/4 po (6 mm). Ne retirez pas les écrous de la tige filetée.
5. Tout en tenant fermement le boîtier du ressort (H. fig. 13), retirez-la doucement jusqu'à ce qu'il se dégage de l'encoche surélevée (r. fig. 13).
6. Tournez jusqu'à ce que la prochaine encoche dans le boîtier soit engagée à l'encoche suivante.
 - Pour augmenter la tension, tournez dans le sens antihoraire.
 - Pour diminuer la tension, tournez dans le sens horaire.
7. Serrez les deux écrous du boîtier.

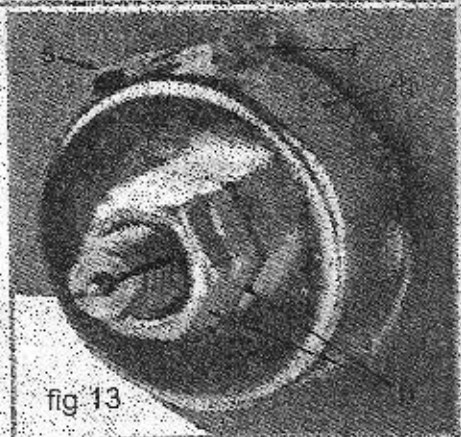


fig 13

MISE EN GARDE : Do not overtighten the two nuts. If the nuts are tightened too much, the movement of the spindle and feed handles will be restricted.



ATTENTION! Ne jamais utiliser de solvants inflammables ou combustibles auprès des outils.



ATTENTION! Pour réduire le risque de blessures, choc électrique ou dommage à l'outil, ne jamais immerger votre outil dans un liquide ou permettre l'écoulement du liquide à l'intérieur de l'outil.



DIAGNOSTIC DES ANOMALIES

PROBLÈME	CAUSE POSSIBLE	SOLUTIONS
Le fonctionnement bruyant sous charge	Mauvaise tension des courroies	Ajustez la tension
	Essieu/axe manquant de lubrifiant	Lubrifiez
	Outils relâchés	Vérifiez et serrez les vis de réglages
Centrage excessif	Meche courbée	Remplacez la meche
	Foret est mal monté dans le mandrin	Vérifiez que le mandrin tient la meche correctement
	Mandrin relâché	Nettoyez le mandrin ou le joint de l'axe
	Damaged bearings or spindle	Remplacez le mandrin en place
Moteur ne démarre pas	Chuck is loose	Remplacez l'arbre de l'axe et les roulements à billes
	Source d'alimentation défectueuse	Remplacez le mandrin
	Problème avec les branchements moteur	Vérifiez le cordon d'alimentation
	Interrupteur défectueux	Vérifiez les connexions au moteur
	Moteur brisé	Remplacez l'interrupteur
		Remplacez le moteur

PROBLÈME	CAUSE POSSIBLE	SOLUTIONS
Mèche glisse dans le matériel	Trop de pression sur la mèche	Appliquez moins de force sur les poignées
	Courroie glisse	Vérifiez la tension des courroies
	Mèche mal installée	Resserrez le mandrin
	Mauvaise vitesse de perçage	Reférez vous à la table des vitesses
	L'angle de perçage ou mauvais type de mèche pour le matériel	Vérifiez les infos sur le matériel et les instructions de manipulation.
La mèche brûle le matériel	Pièce à perforez bouge	Bien supportez ou serrez la pièce
	Mauvaise vitesse ou trou trop grand pour commencer	Reférez vous au tableau de vitesse
	Copaux ne sont pas évacués du trou	Nettoyez la mèche
	Mèche non aiguisée ou clearance incorrect	Remplacez ou aigüisez
	Besoin de refroidissant	Utilisez du liquide refroidissant
La bobine retourne en place trop lentement ou trop vite	Alimentation trop lente	Augmentez la vitesse d'alimentation
	Le ressort de bobine est mal ajusté	Ajustez la tension
Table difficile à reporter	Poussière sur ou à l'intérieur de la bobine	Nettoyez et lubrifiez
	Manque de lubrification	Lubrifiez
Ébarbure excessive sur l'autre côté de la pièce	Le verrou de table serré	Déverrouillez
	Trop de pression sur les poignées	Appliquez moins de force
Mèche dévie de son trou	Pas de matériau de retenu	Utilisez une pièce de bois de rebus sous la pièce à travailler
	Bois très dur	Lubrifiez la mèche
	Mèche légèrement voûtée	Remplacez
	Trop de force	Utilisez une vitesse moins haute

REMARQUE: le service et les réparations doivent être faites par un technicien qualifié dans un centre de réparation agréé. Un outil mal réparé pourrait provoquer des chocs ou des blessures graves.

REMARQUE: PIÈCES DE RECHANGE. Lors de l'entretien, utilisez uniquement les pièces et accessoires de rechange recommandés par le fabricant.